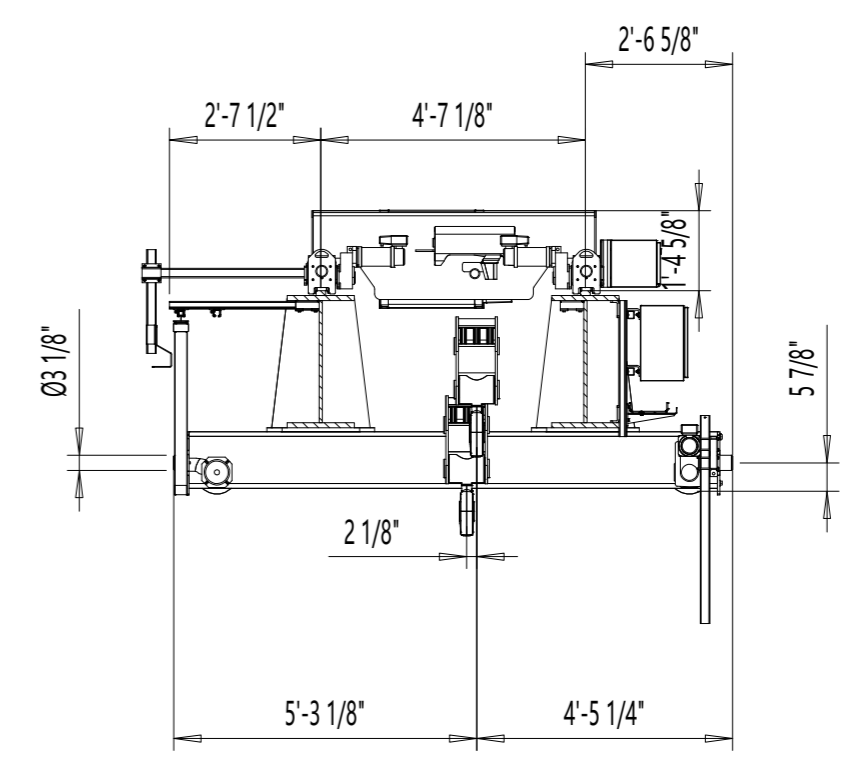
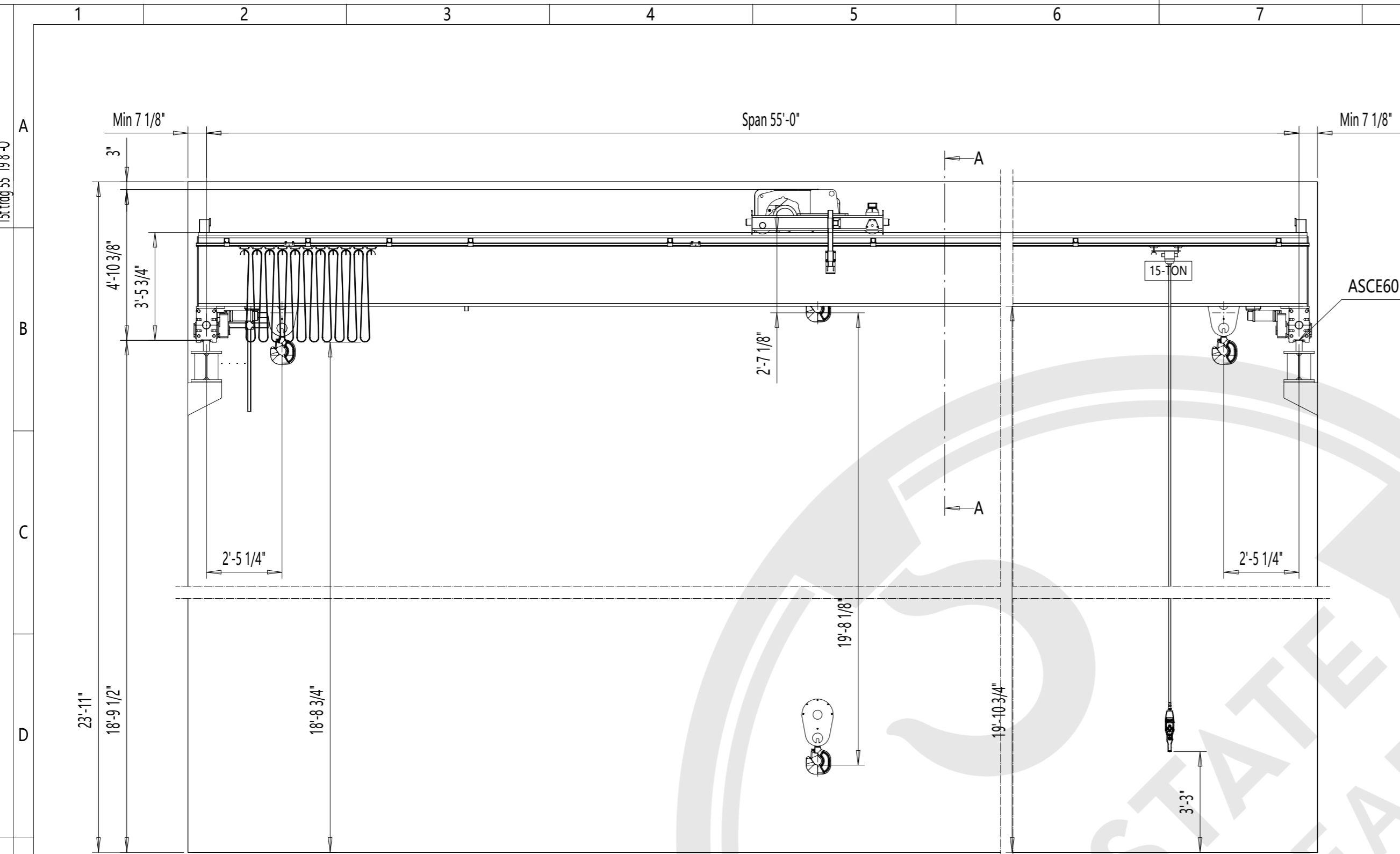


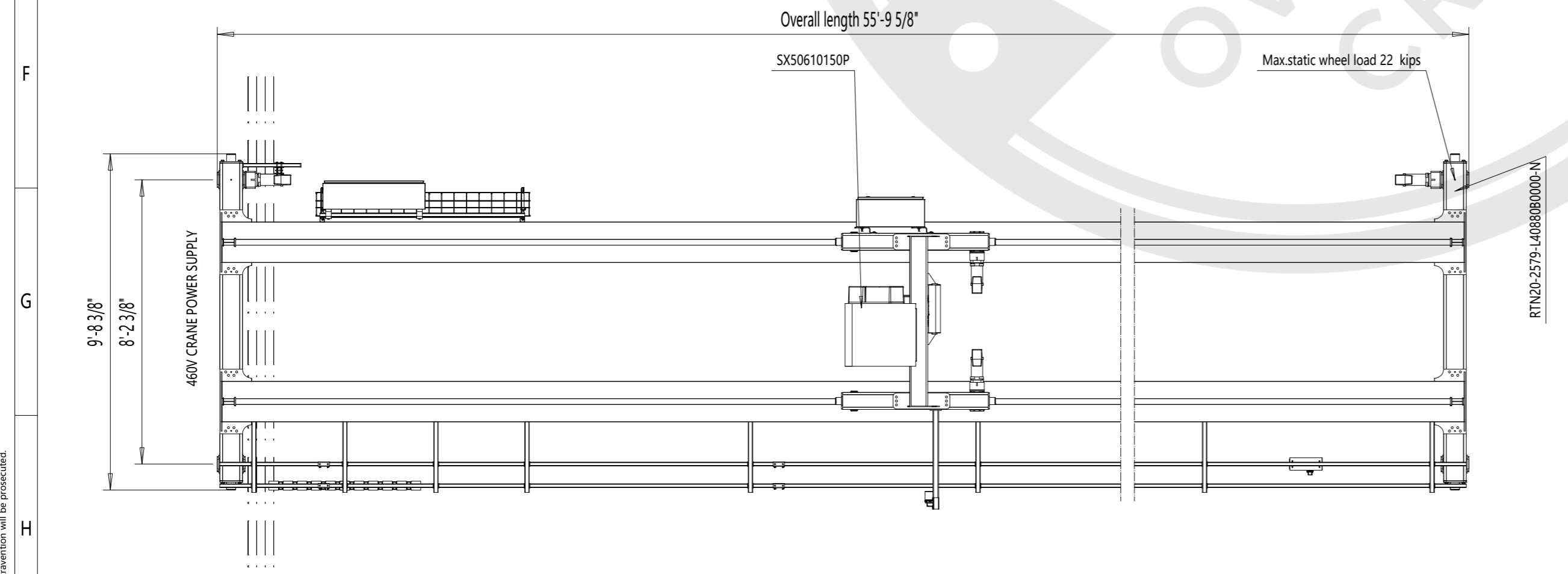
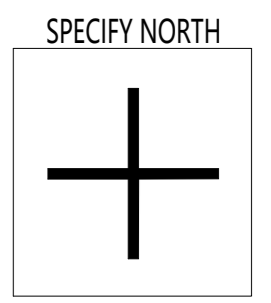
Distributed by Tri-State Equipment Company Inc. | sales@tsoverheadcrane.com | (314) 869-7200 | www.tsoverheadcrane.com

This document is the absolute property of R&M. This document must not be copied without the written permission of R&M. The contents thereof must not be disclosed to a third party nor be used for any unauthorized purpose. Contravention will be prosecuted.

| REV | CHANGE DESCRIPTION | ECN | DATE | REVISED BY | APPROVED BY |
|-----|--------------------|-----|------|------------|-------------|
| | | | | | |



View A-A

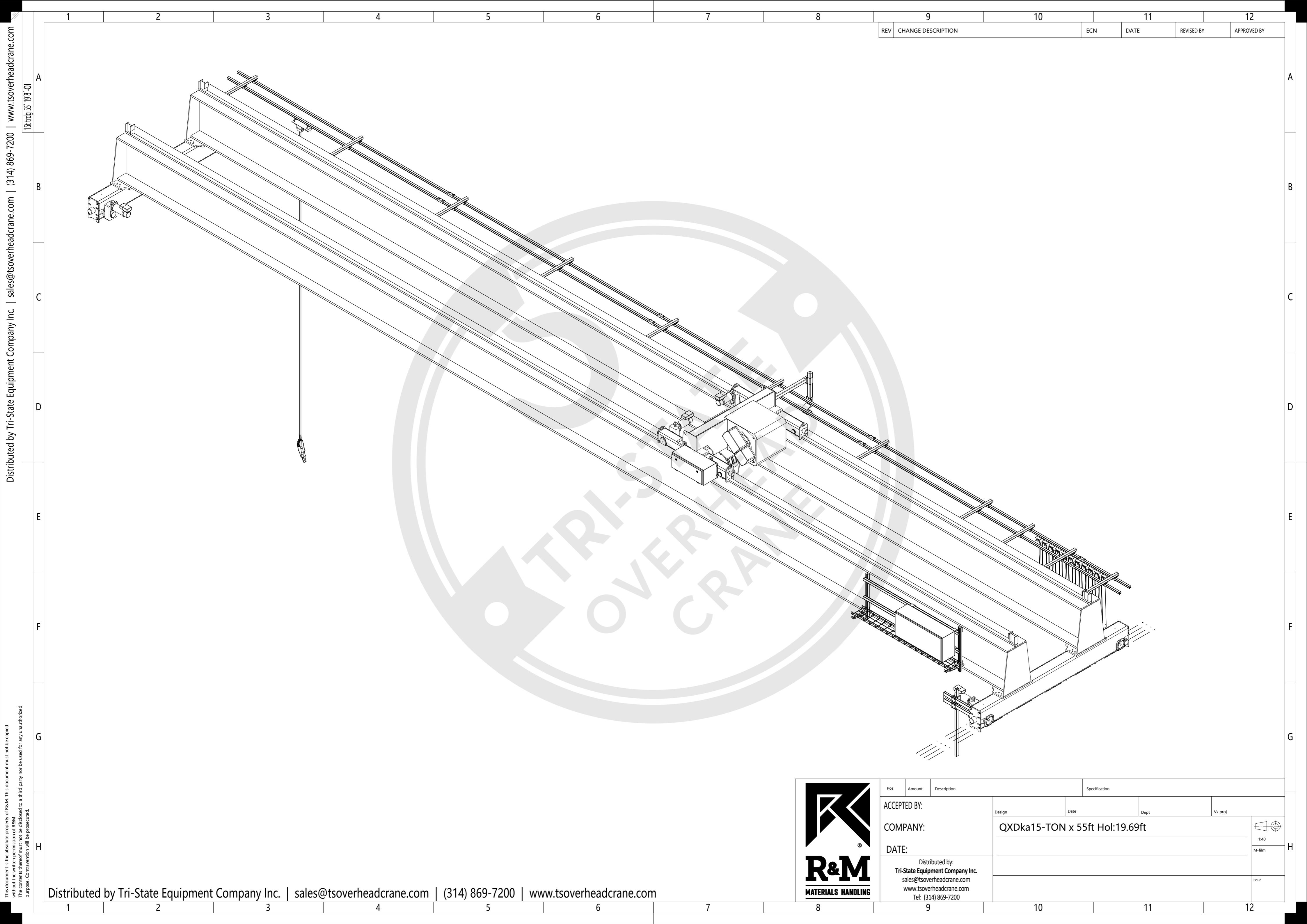


| TECHNICAL DATA | |
|------------------------|---------------------------|
| Span | : 55'-0" |
| Load | : 15-TON |
| Lifting height | : 19'-8 1/4" |
| Hoisting speed | : 12.5/2.0 ft/min 2-speed |
| Traversing speed | : 65 ft/min stepless |
| Travelling speed | : 100 ft/min Stepless |
| Weight of trolley | : 1670 lbs |
| Weight of bridge | : 21221 lbs |
| Crane classification | : CMAA Class C |
| Hoist group | : ASME H4 |
| Crane drive group | : CMAA C |
| Main / control voltage | : 460 / 115 V; 60 Hz |
| Supply power | : 18.4 Hp |
| Length of runway | : 0" |

| SURFACE TREATMENT OF CRANE | |
|--|-----------------|
| Bridge color | : Safety Yellow |
| Paint | : AKRYL /127 µm |
| Customer organizes safe Platform for crane service | |
| Indoor Use crane 32°104° F | |
| Pendant controlled crane: movable | |



| Pos | Amount | Description | Specification |
|--|--------|--------------------------------|---------------|
| ACCEPTED BY: | | | |
| COMPANY: | | | |
| DATE: | | | |
| Distributed by: Tri-State Equipment Company Inc. sales@tsoverheadcrane.com www.tsoverheadcrane.com Tel: (314) 869-7200 | | Design | Date |
| | | QXDka15-TON x 55ft HoI:19.69ft | |
| | | Dept | Vx proj |
| | | | |
| | | | |
| | | | |



Distributed by Tri-State Equipment Company Inc. | sales@tsoverheadcrane.com | (314) 869-7200 | www.tsoverheadcrane.com
 151100 55 1918-01

This document is the absolute property of R&M. This document must not be copied without the written permission of R&M. The contents thereof must not be disclosed to a third party nor be used for any unauthorized purpose. Contravention will be prosecuted.

| REV | CHANGE DESCRIPTION | ECN | DATE | REVISED BY | APPROVED BY |
|-----|--------------------|-----|------|------------|-------------|
|-----|--------------------|-----|------|------------|-------------|



| | | | |
|--|--------|--------------------------------|---------------|
| Pos | Amount | Description | Specification |
| ACCEPTED BY: | | Design | Date |
| COMPANY: | | Dept | |
| DATE: | | Vx proj | |
| Distributed by: Tri-State Equipment Company Inc. sales@tsoverheadcrane.com www.tsoverheadcrane.com Tel: (314) 869-7200 | | QXDka15-TON x 55ft Hol:19.69ft | |
| | | 1:40 M-film | |
| | | Issue | |