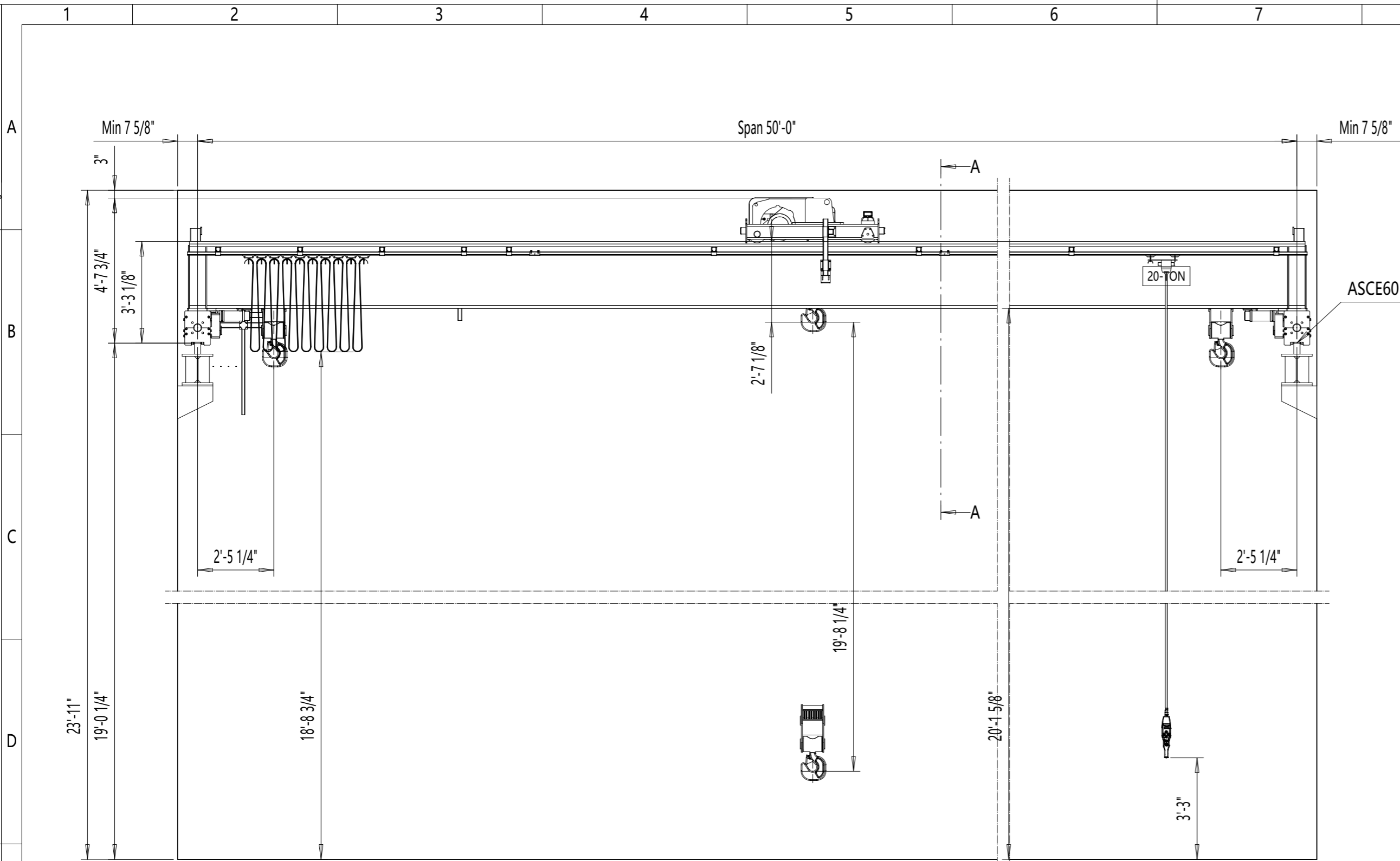
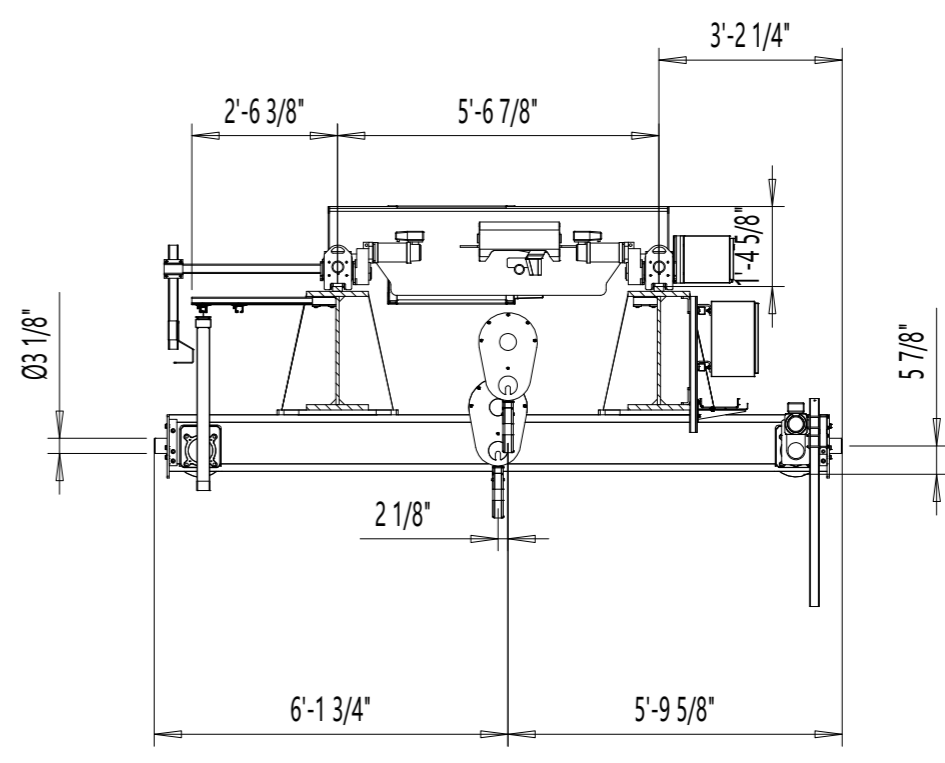


Distributed by Tri-State Equipment Company Inc. | sales@tsoverheadcrane.com | (314) 869-7200 | www.tsoverheadcrane.com

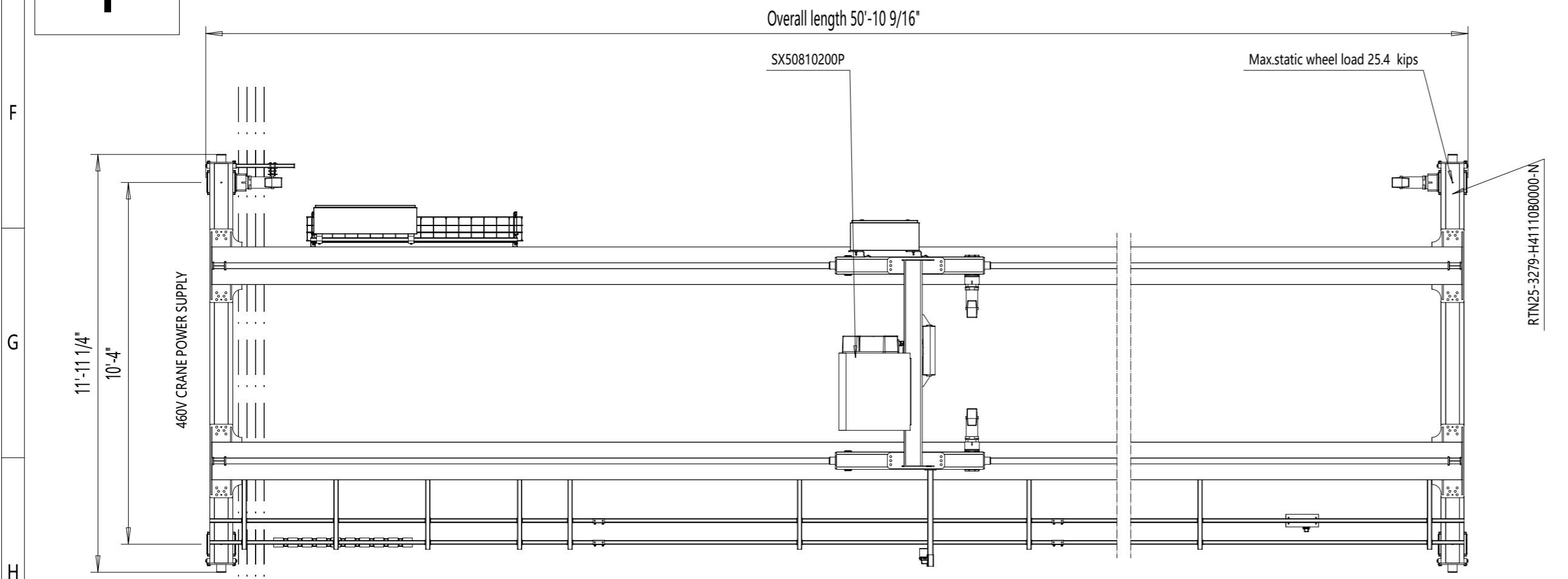
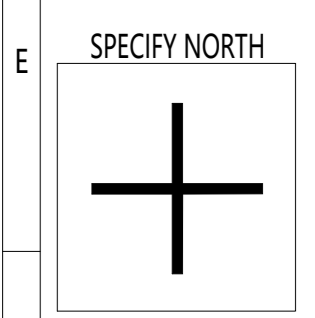
This document is the absolute property of R&M. This document must not be copied without the written permission of R&M. The contents thereof must not be disclosed to a third party nor be used for any unauthorized purpose. Contravention will be prosecuted.



| REV | CHANGE DESCRIPTION | ECN | DATE | REVISED BY | APPROVED BY |
|-----|--------------------|-----|------|------------|-------------|
|-----|--------------------|-----|------|------------|-------------|



View A-A



**TECHNICAL DATA**

|                        |                           |
|------------------------|---------------------------|
| Span                   | : 50'-0"                  |
| Load                   | : 20-TON                  |
| Lifting height         | : 19'-8 1/4"              |
| Hoisting speed         | : 10.0/1.6 ft/min 2-speed |
| Traversing speed       | : 65 ft/min stepless      |
| Travelling speed       | : 100 ft/min Stepless     |
| Weight of trolley      | : 1820 lbs                |
| Weight of bridge       | : 19247 lbs               |
| Crane classification   | : CMAA Class C            |
| Hoist group            | : ASME H3                 |
| Crane drive group      | : CMAA C                  |
| Main / control voltage | : 460 / 115 V; 60 Hz      |
| Supply power           | : 17.88 Hp                |
| Length of runway       | : 0"                      |

**SURFACE TREATMENT OF CRANE**

|              |                 |
|--------------|-----------------|
| Bridge color | : Safety Yellow |
| Paint        | : AKRYL /127 µm |

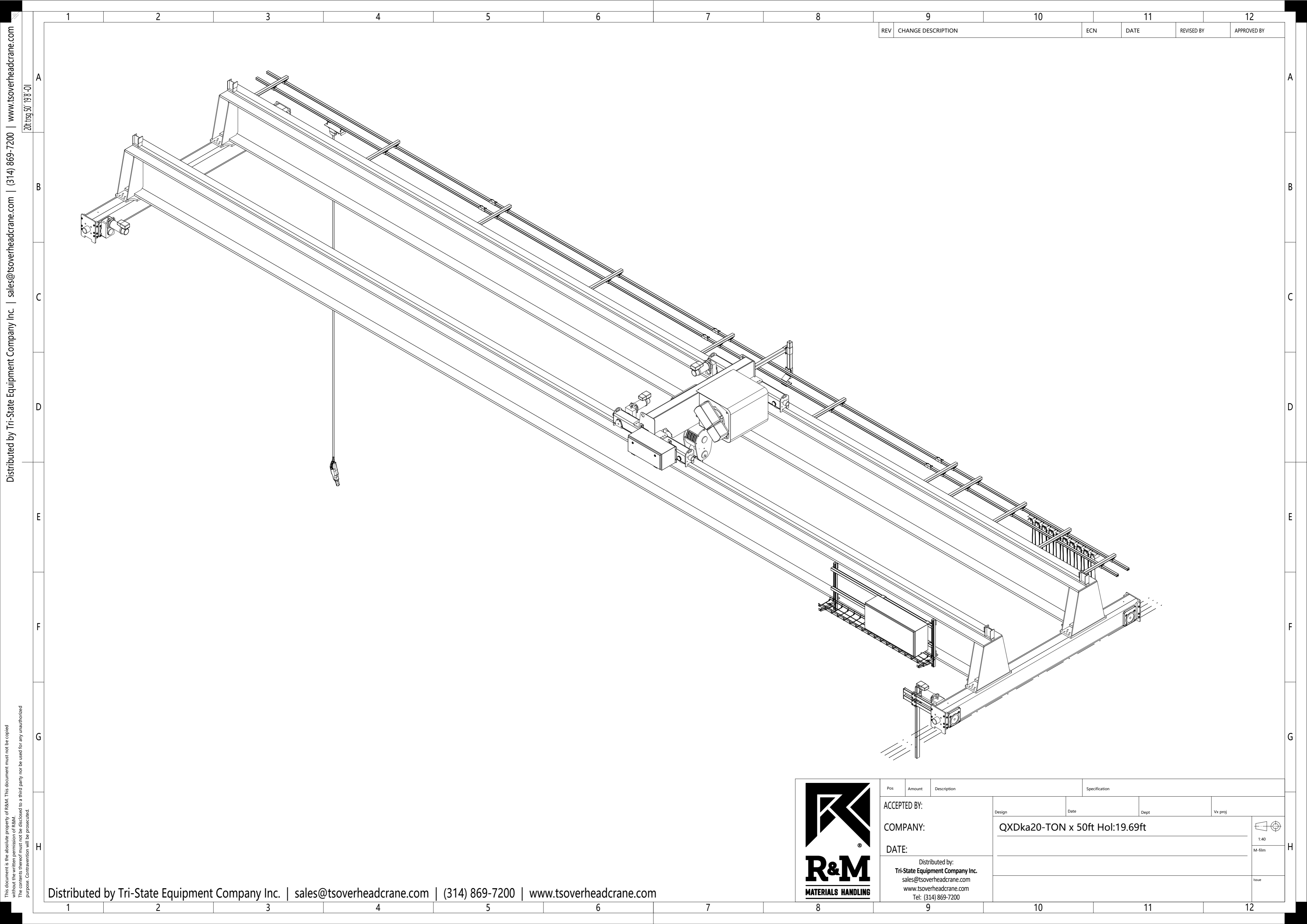
Customer organizes safe Platform for crane service

Indoor Use crane 32° ....104° F

Pendant controlled crane: movable



|  |        |                                |               |
|--|--------|--------------------------------|---------------|
| Pos  | Amount | Description                    | Specification |
| ACCEPTED BY:   |        | Design                         | Date          |
| COMPANY:   |        | Dept                           |               |
| DATE:  |        | Vx proj                        |               |
| Distributed by:<br>Tri-State Equipment Company Inc.<br>sales@tsoverheadcrane.com<br>www.tsoverheadcrane.com<br>Tel: (314) 869-7200 |        | QXDka20-TON x 50ft Hol:19.69ft |               |
|  |        | 1:40<br>M-film                 |               |
|  |        | Issue                          |               |



Distributed by Tri-State Equipment Company Inc. | sales@tsoverheadcrane.com | (314) 869-7200 | www.tsoverheadcrane.com

This document is the absolute property of R&M. This document must not be copied without the written permission of R&M. The contents thereof must not be disclosed to a third party nor be used for any unauthorized purpose. Contravention will be prosecuted.

| REV | CHANGE DESCRIPTION | ECN | DATE | REVISED BY | APPROVED BY |
|-----|--------------------|-----|------|------------|-------------|
|-----|--------------------|-----|------|------------|-------------|



| Pos                              | Amount | Description                    | Specification |
|----------------------------------|--------|--------------------------------|---------------|
| ACCEPTED BY:                     |        | Design                         | Date          |
| COMPANY:                         |        | Dept                           |               |
| DATE:                            |        | Vx proj                        |               |
| Distributed by:                  |        | QXDka20-TON x 50ft Hol:19.69ft |               |
| Tri-State Equipment Company Inc. |        | 1:40                           |               |
| sales@tsoverheadcrane.com        |        | M-film                         |               |
| www.tsoverheadcrane.com          |        | Issue                          |               |
| Tel: (314) 869-7200              |        |                                |               |