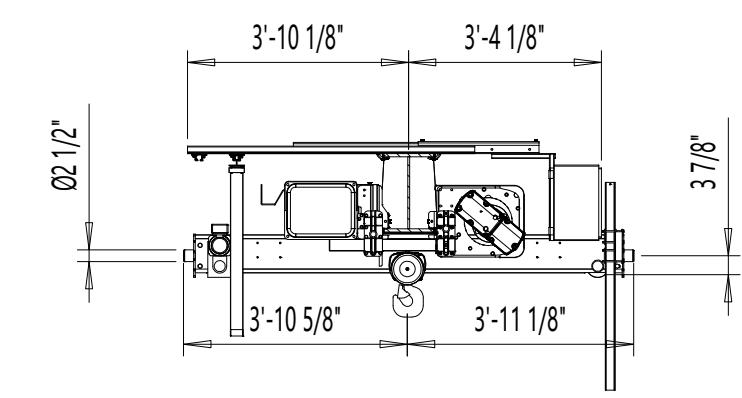
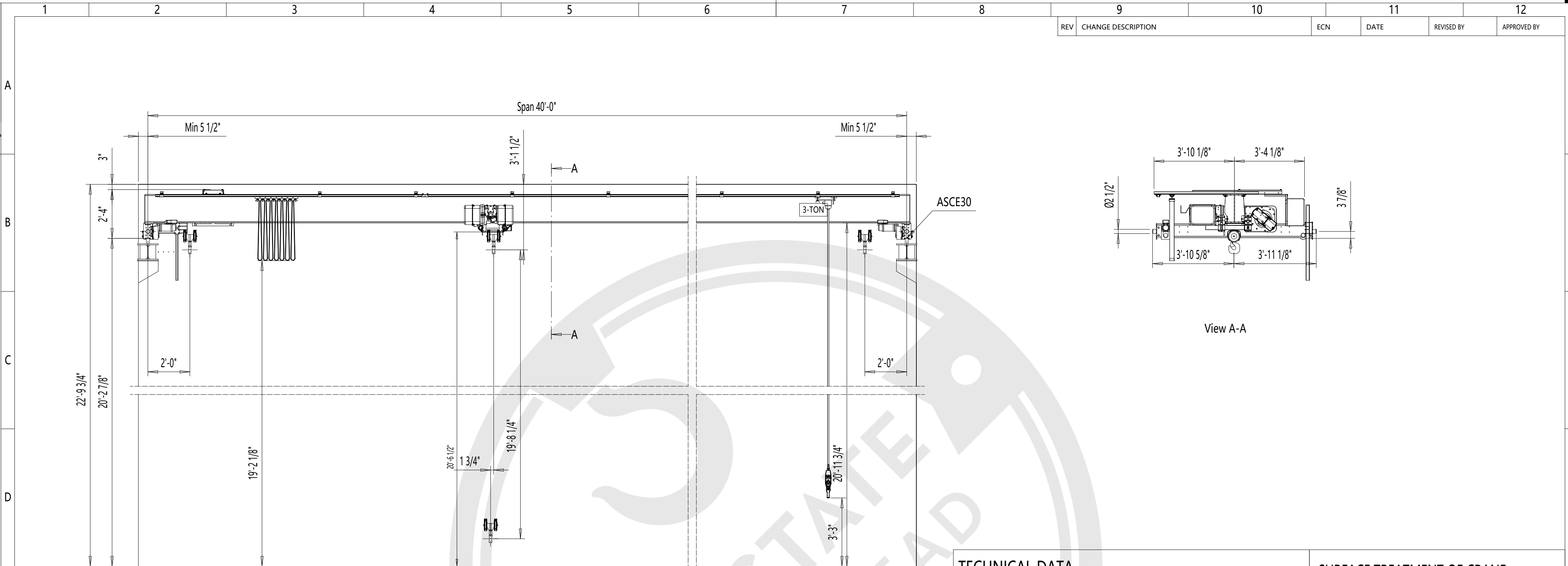


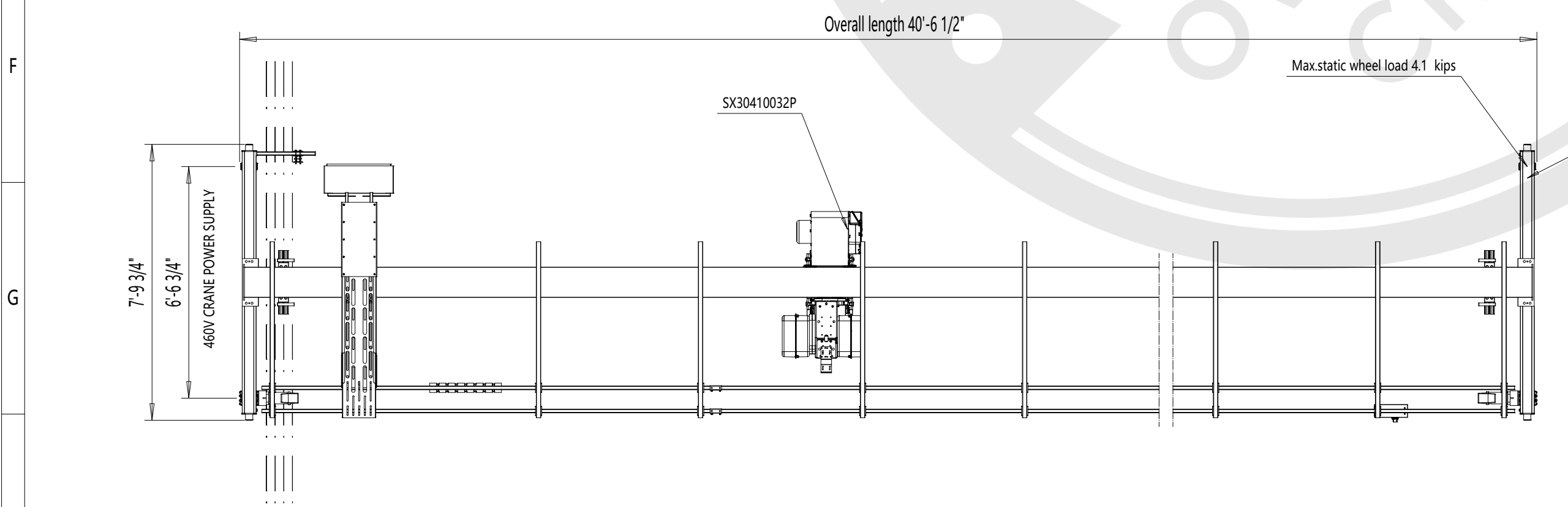
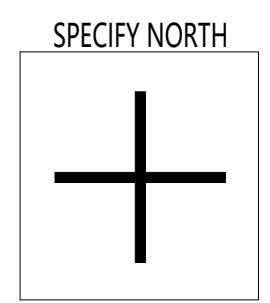
Distributed by Tri-State Equipment Company Inc. | sales@tsoverheadcrane.com | (314) 869-7200 | www.tsoverheadcrane.com

This document is the absolute property of R&M. This document must not be copied without the written permission of R&M. The contents thereof must not be disclosed to a third party nor be used for any unauthorized purpose. Contravention will be prosecuted.

REV	CHANGE DESCRIPTION	ECN	DATE	REVISED BY	APPROVED BY



View A-A



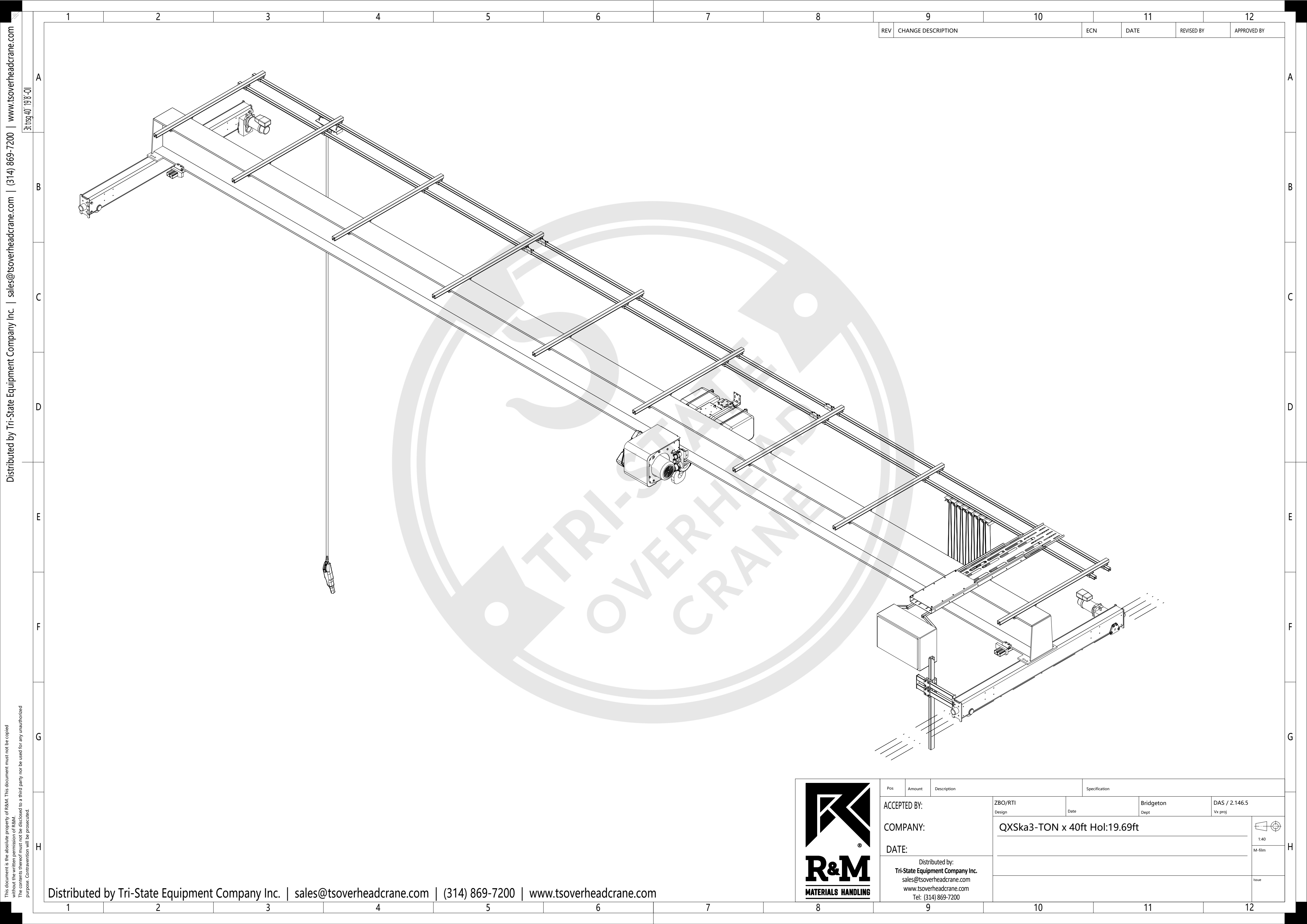
TECHNICAL DATA		SURFACE TREATMENT OF CRANE	
Span	: 40'-0"	Bridge color	: Safety Yellow
Load	: 3-TON	Paint	: AKRYL /127 µm
Lifting height	: 19'-8 1/4"	Customer organizes safe Platform for crane service	
Hoisting speed	: 20.0/3.2 ft/min 2-speed	Indoor Use crane 32° ....104° F	
Traversing speed	: 65 ft/min stepless	Pendant controlled crane: movable	
Travelling speed	: 100 ft/min Stepless		
Weight of trolley	: 490 lbs		
Weight of bridge	: 3759 lbs		
Crane classification	: CMAA Class C		
Hoist group	: ASME H4		
Crane drive group	: CMAA C		
Main / control voltage	: 460 / 115 V; 60 Hz		
Supply power	: 6.96 Hp		
Length of runway	: 0"		



Pos	Amount	Description	Specification

ACCEPTED BY:	Design	Date	Dept	Vx proj
COMPANY:	QXska3-TON x 40ft Hol:19.69ft			
DATE:				
Distributed by: Tri-State Equipment Company Inc. sales@tsoverheadcrane.com www.tsoverheadcrane.com Tel: (314) 869-7200				



Distributed by Tri-State Equipment Company Inc. | (314) 869-7200 | www.tsoverheadcrane.com  
 This document is the absolute property of R&M. This document must not be copied without the written permission of R&M. The contents thereof must not be disclosed to a third party nor be used for any unauthorized purpose. Contravention will be prosecuted.

REV	CHANGE DESCRIPTION	ECN	DATE	REVISED BY	APPROVED BY



Pos	Amount	Description	Specification
ACCEPTED BY:		ZBO/RTI	Bridgeton
COMPANY:		Design	Dept
DATE:		QXska3-TON x 40ft Hol:19.69ft	
Distributed by:		DAS / 2.146.5	
Tri-State Equipment Company Inc.		Vx proj	
sales@tsoverheadcrane.com		1:40	
www.tsoverheadcrane.com		M-film	
Tel: (314) 869-7200		Issue	