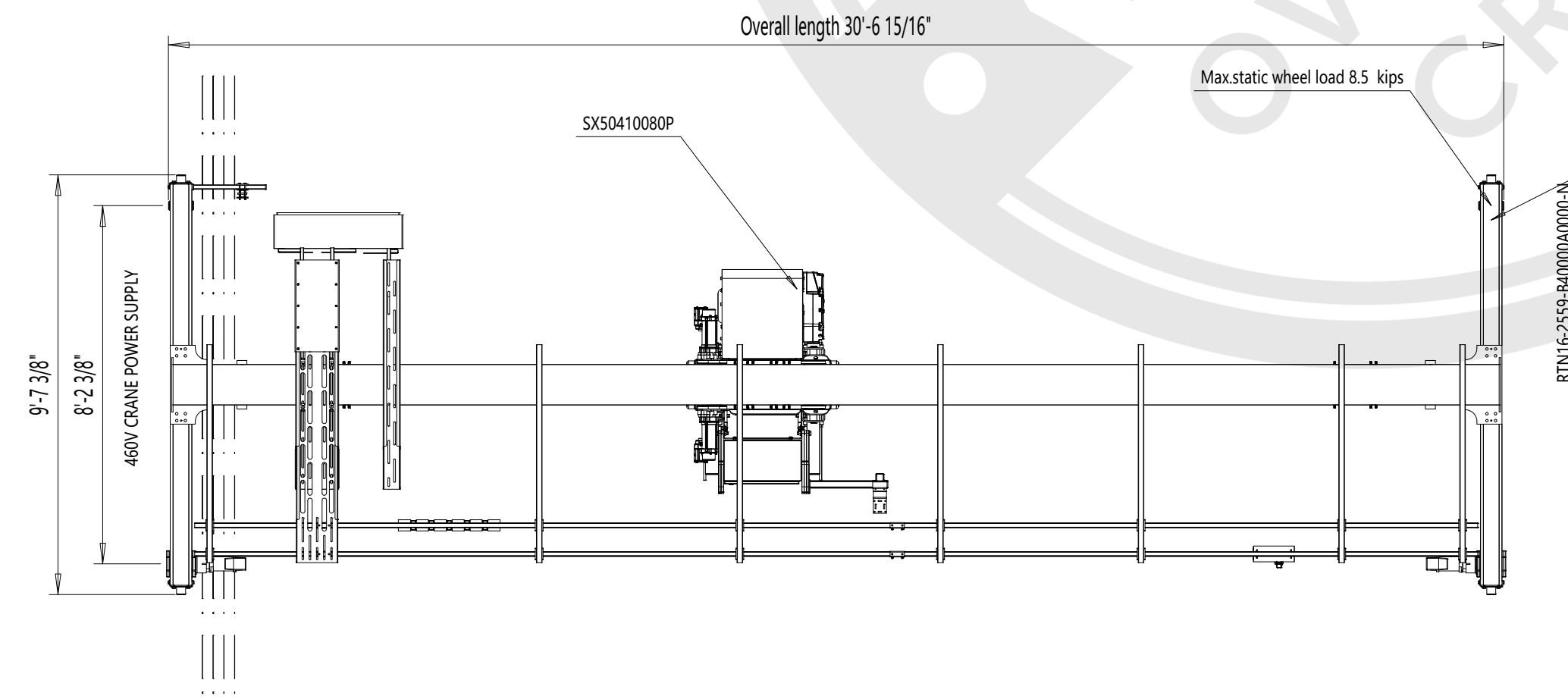
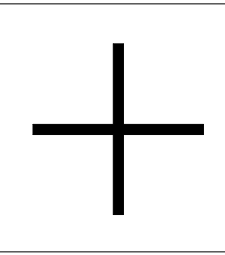


View A-A

SPECIFY NORTH



TECHNICAL DATA

Span	: 30'-0"
Load	: 7.5-TON
Lifting height	: 29'-6 5/16"
Hoisting speed	: 20.0/3.2 ft/min 2-speed
Traversing speed	: 65 ft/min stepless
Travelling speed	: 100 ft/min Stepless
Weight of trolley	: 1440 lbs
Weight of bridge	: 4348 lbs
Crane classification	: CMAA Class C
Hoist group	: ASME H4*
Crane drive group	: CMAA C
Main / control voltage	: 460 / 115 V; 60 Hz
Supply power	: 16.64 Hp
Length of runway	: 0"

SURFACE TREATMENT OF CRANE	
Bridge color	: Safety Yellow
Paint	: AKRYL /127 μm
Customer organizes safe Platform for crane service	
Indoor Use crane 32°104° F	
Pendant controlled crane: movable	

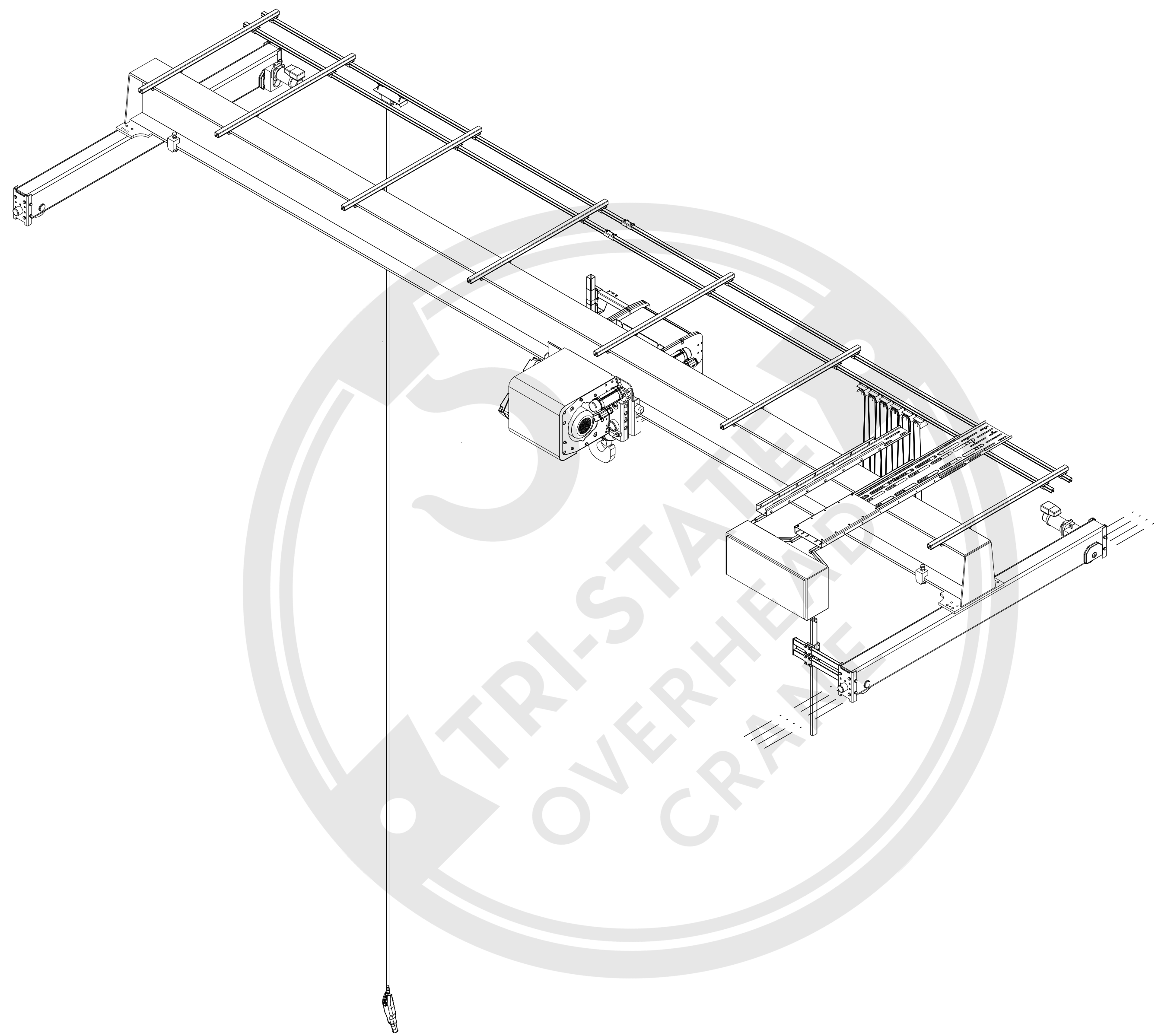


Pos	Amount	Description	Specification
ACCEPTED BY:		Design	Date
COMPANY:		QXSka7.5-TON x 30ft Hol:29.53ft	
DATE:		Dept	Vx proj
Distributed by:		1:40	
Tri-State Equipment Company Inc.		M-film	
sales@tsoverheadcrane.com		Issue	
www.tsoverheadcrane.com			
Tel: (314) 869-7200			

This document is the absolute property of R&M. This document must not be copied without the written permission of R&M. The contents thereof must not be disclosed to a third party nor be used for any unauthorized purpose. Contravention will be prosecuted.

REV	CHANGE DESCRIPTION	ECN	DATE	REVISED BY	APPROVED BY
-----	--------------------	-----	------	------------	-------------

Distributed by Tri-State Equipment Company Inc. | sales@tsoverheadcrane.com | (314) 869-7200 | www.tsoverheadcrane.com
 7.5t (16.5k) 29.53ft



This document is the absolute property of R&M. This document must not be copied without the written permission of R&M. The contents thereof must not be disclosed to a third party nor be used for any unauthorized purpose. Contravention will be prosecuted.



Pos	Amount	Description	Specification
ACCEPTED BY:		Design	Date
COMPANY:		Dept	
DATE:		Vx proj	
Distributed by:		QXska7.5-TON x 30ft Hol:29.53ft	
Tri-State Equipment Company Inc.		1:40	
sales@tsoverheadcrane.com		M-film	
www.tsoverheadcrane.com		Issue	
Tel: (314) 869-7200			