

# CHESTER HOIST

"Performance Plus Flexibility"



## ZEPHYR SWIVEL TRUCK

### LOW HEADROOM TROLLEY HOISTS

The Chester Zephyr Swivel Truck Low Headroom Trolley Hoist provides an absolute minimum distance from the bottom of the runway beam to the saddle of the load hook in the fully raised position. This trolley hoist provides true low headroom capabilities.

Our Swivel Truck Low Headroom also incorporates two highly desirable features – compact physical dimensions, and the ability to travel extremely short radius curves. Runways can be located closer to walls than would otherwise be possible, with units of heavier and bulkier construction.

The Swivel Truck is ideal for patented monorail, especially when required for use with switches, turntables and interlocks. For such applications, minimum dimensions are a necessity. Our compact, lightweight, steel swivel truck design offers versatility and adaptability to problem job applications where space savings is essential.

CATALOG NUMBER		STD. LIFT	CAPACITY IN TONS	MINIMUM RADIUS CURVE	MINIMUM BEAM SIZE	DISTANCE FROM BEAM TO HOOK SADDLE HEADROOM	CHAIN PULL TO LIFT FULL LOAD LBS.	CHAIN OVERHAUL TO LIFT LOAD ONE FOOT	NET WEIGHT, LBS.	
PLAIN	GEARED								PLAIN	GEARED
1321 - 1/4	1322 - 1/4	8'	1/4	21"	S5"x10.0#	6 3/16"	17	33 ft.	127	144
1321 - 1/2	1322 - 1/2	8'	1/2	21"	S5"x10.0#	6 3/16"	35	33 ft.	127	144
1321 - 1	1322 - 1	8'	1	21"	S5"x10.0#	6 3/16"	70	33 ft.	127	144
1321 - 1 1/2	1322 - 1 1/2	8'	1 1/2	30"	S6"x12.5#	6 3/4"	57	66 ft.	245	267
1321 - 2	1322 - 2	8'	2	30"	S6"x12.5#	6 3/4"	76	66 ft.	251	270
1321 - 3	1322 - 3	8'	3	42"	S8"x18.4#	8 1/4"	42	170 ft.	345	375
1321 - 4	1322 - 4	8'	4	42"	S8"x18.4#	9 1/4"	58	170 ft.	350	380
1321 - 5	1322 - 5	8'	5	48"	S10"x25.4#	9 15/16"	73	170 ft.	466	496
1321 - 6	1322 - 6	8'	6	48"	S10"x25.4#	9 15/16"	90	170 ft.	466	496

BEAM SIZE AND CURVE RADIUS MUST **ALWAYS** BE SPECIFIED WHEN ORDERING.

\*NOTE: MIN. BEAM FOR WHEEL CLEARANCE ONLY. CUSTOMER MUST VERIFY THEIR BEAM IS ADEQUATE FOR THE APPLIED LOADING.

Distributed by Tri-State Equipment Company Inc.

Email: sales@tsoverheadcrane.com

Web: www.tsoverheadcrane.com

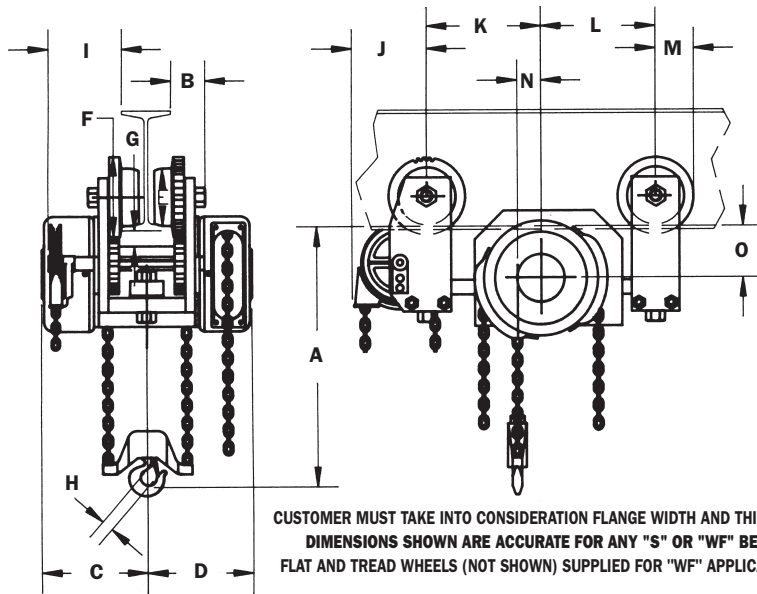
PH: 314-869-7200 | FAX: 314-869-7226

## Z600-99 Bulletin C

## CLEARANCE DIMENSIONS

All dimensions are in inches

### LOW HEAD ROOM



CUSTOMER MUST TAKE INTO CONSIDERATION FLANGE WIDTH AND THICKNESS.  
DIMENSIONS SHOWN ARE ACCURATE FOR ANY "S" OR "WF" BEAM.  
FLAT AND TREAD WHEELS (NOT SHOWN) SUPPLIED FOR "WF" APPLICATIONS.

CAP.	MAXIMUM FLANGE WIDTH AND THICKNESS FOR STRAIGHT TRACK	MAXIMUM FLANGE WIDTH AND THICKNESS FOR MINIMUM RADIUS TRACK
1/4	5 3/8" W. x 1/2" Thk.	3 3/8" W. x 1/2" Thk.
1/2	5 3/8" W. x 1/2" Thk.	3 3/8" W. x 1/2" Thk.
1	5 3/8" W. x 1/2" Thk.	3 3/8" W. x 1/2" Thk.
1 1/2	6" W. x 5/8" Thk.	4" W. x 1/2" Thk.
2	6" W. x 5/8" Thk.	4" W. x 1/2" Thk.
3	6" W. x 5/8" Thk.	5 7/8" W. x 5/8" Thk.
4	6" W. x 5/8" Thk.	5 7/8" W. x 5/8" Thk.
5	8" W. x 7/8" Thk.	7 7/8" W. x 7/8" Thk.
6	8" W. x 7/8" Thk.	7 7/8" W. x 7/8" Thk.

**CURVE RADIUS MUST ALWAYS BE SPECIFIED WHEN ORDERING.**  
**EACH UNIT IS SET FOR A SPECIFIED FLANGE WIDTH AND IS NOT ADJUSTABLE.**

CAPACITY IN TON	A	B	C	D	E	F	PLAIN G	GEARED G	H	I	J	K	L	M	N	O
1/4 thru 1	6 3/16	2	6 9/16	6 9/16	3 3/4	5	7/8	7/8	31/32	4 11/16	3 3/4	7 1/4	6 1/2	2 1/2	1 3/8	2 15/16
1 1/2 & 2	6 3/4	2 3/16	8 11/16	8 11/16	4 1/2	6	5/8	5/8	1 1/8	7 3/16	6 1/4	11 3/8	7 5/8	3	3	1 7/8
3	8 1/4	2 9/16	9 7/8	9 7/8	6 3/8	8	15/16	15/16	1 11/32	8 1/8	6 1/8	11 9/16	7 11/16	4	3	3 7/16
4	9 1/4	2 9/16	9 7/8	9 7/8	6 3/8	8	15/16	15/16	1 11/16	8 1/8	6 1/8	11 9/16	7 11/16	4	3	3 7/16
5	9 15/16	2 13/16	10 1/8	10 1/8	7 3/16	9	7/8	7/8	1 11/16	8 1/2	6 15/16	11 9/16	8 13/16	4 1/2	3	3 7/8
6	9 15/16	2 13/16	10 1/8	10 1/8	7 3/16	9	7/8	7/8	1 11/16	8 1/2	6 15/16	11 9/16	8 13/16	4 1/2	3	3 7/8

\*Geared Units Only.

**HOISTS FOR WIDER FLANGE WIDTHS THAN ILLUSTRATED ABOVE MAY BE POSSIBLE.**  
**CONSULT FACTORY.**

### ASK US ABOUT YOUR SPECIAL REQUIREMENTS

This catalog covers our Zephyr manual hoists, and our trolley lines ... the basic hoisting equipment made by Chester, including adaptations considered standard because of universal use.

Many other variations and adaptations are possible, to fit specific problems. We are interested in any special requirements you may have, and we have the experience and the lines to design and build equipment that will meet them exactly.

The Zephyr line, in particular, can be engineered for exacting clearances, and to operate on tight radius curves and on switches, turntables, and interlocks.

Chester trolleys, and trolley hoists, can be built to operate on narrow-flanged patented monorail track, as well as the extra wide track where wide flange sections are used.

Spark-resistant bronze or stainless steel parts can be supplied, as can also such other extras as chain containers or buckets, track clamps, handwheel extensions, or twin hook features.

Remember – we can engineer our product to your specific design problems, and to your specific jobs.

Tell us what you need, and let us show you what we can do.

\* WARNING

**Overloading and improper use can result in injury.**

**To avoid injury:**

- Do not exceed working load limit, load rating or capacity.
- Do not use to lift people or loads over people.
- Use only alloy chain and attachments for overhead lifting.
- Read and follow all instructions.
- This equipment for manual operation only.