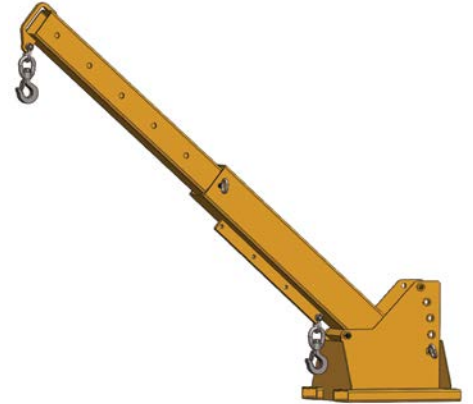
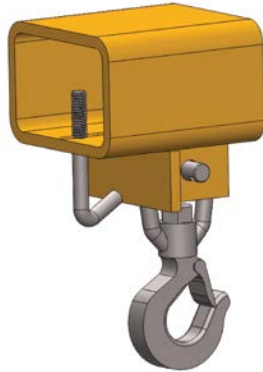


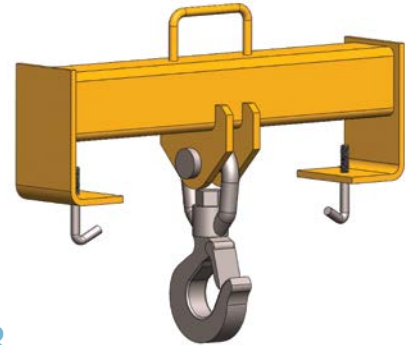
**HTB**  
TELESCOPING FORK TRUCK BOOM .....Page 82



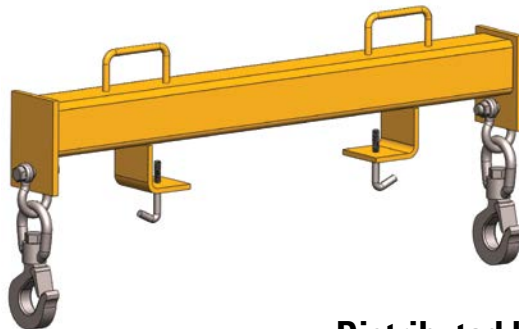
**HTBP**  
TELESCOPING PIVOT FORK TRUCK BOOM .....Page 83



**HFH**  
FORK TRUCK HOOK .....Page 84



**HFHB**  
FORK TRUCK HOOK BEAM .....Page 85



**HFHBD**  
Fork Truck Double Hook Beam .....Page 86

Distributed by Tri-State Equipment Company Inc.

Email: [sales@tsoverheadcrane.com](mailto:sales@tsoverheadcrane.com)

Web: [www.tsoverheadcrane.com](http://www.tsoverheadcrane.com)

PH: 314-869-7200 | FAX: 314-869-7226

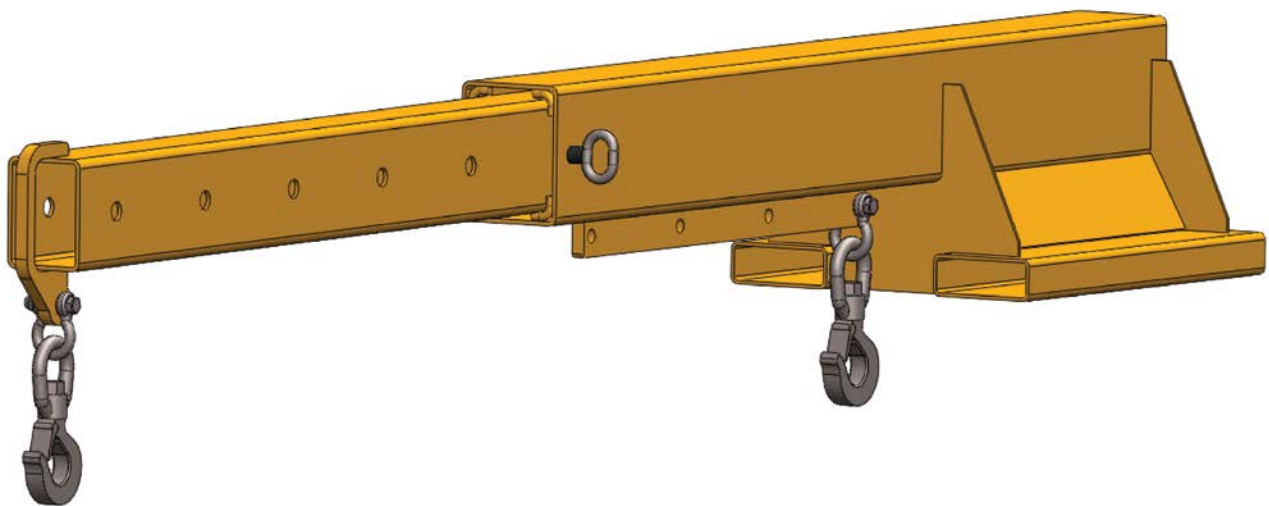
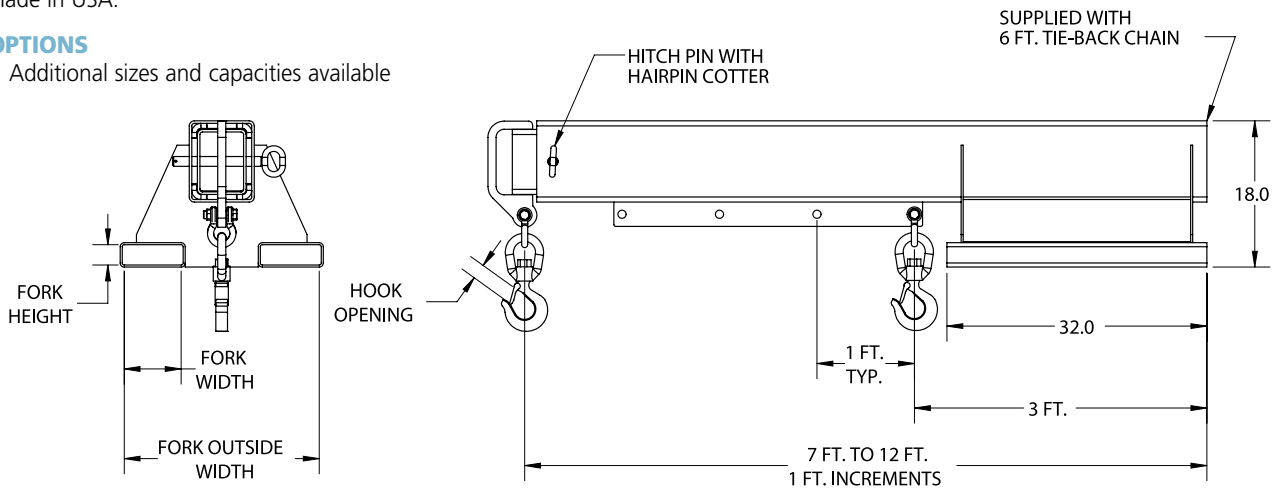
## HTB TELESCOPING FORK TRUCK BOOM

### FEATURES

- This style of fork truck attachment is designed to efficiently lift and carry loads with a telescoping boom with locking pin allowing for multiple hook positions.
- Supplied with standard restraining chain with grab hook and attached handle for ease of boom extension.
- 12' maximum boom reach, and supplied with standard swivel or fixed hooks.
- Engineered and manufactured to ASME B30.20 & BTH-1 Design Category B Service Class 2 (where applicable).
- 100% of ALL telescoping fork truck booms are Proof-Tested to 125% capacity and certificates supplied at No Additional Charge.
- Made in USA.

### OPTIONS

- Additional sizes and capacities available



FORK TRUCK ACC.

Model # Fixed	Dimensions (Inches)					Max Capacity at Hook Position (Lbs.)						Weight (Lbs.)	
	Fork Opening Height	Fork Opening Width	Fork Outside Width	Headroom	Hook Opening	3' to 6'	7'	8'	9'	10'	11'		12'
HTB-30	2.5	7	22	18	1	3000	3000	2600	2200	1900	1600	1500	490
HTB-40	2.5	7	22	18	1.09	4000	3200	2600	2200	1900	1600	1500	490
HTB-60	2.5	7	22	18	1.36	6000	5000	4200	3500	3000	2700	2500	565
HTB-80	2.5	7	22	18	1.61	8000	7000	5700	4800	4100	3600	3100	750



**WARNING**

**DO NOT EXCEED CAPACITY!**  
See the SAFETY GUIDELINES section before using these products. Pages 92-95.

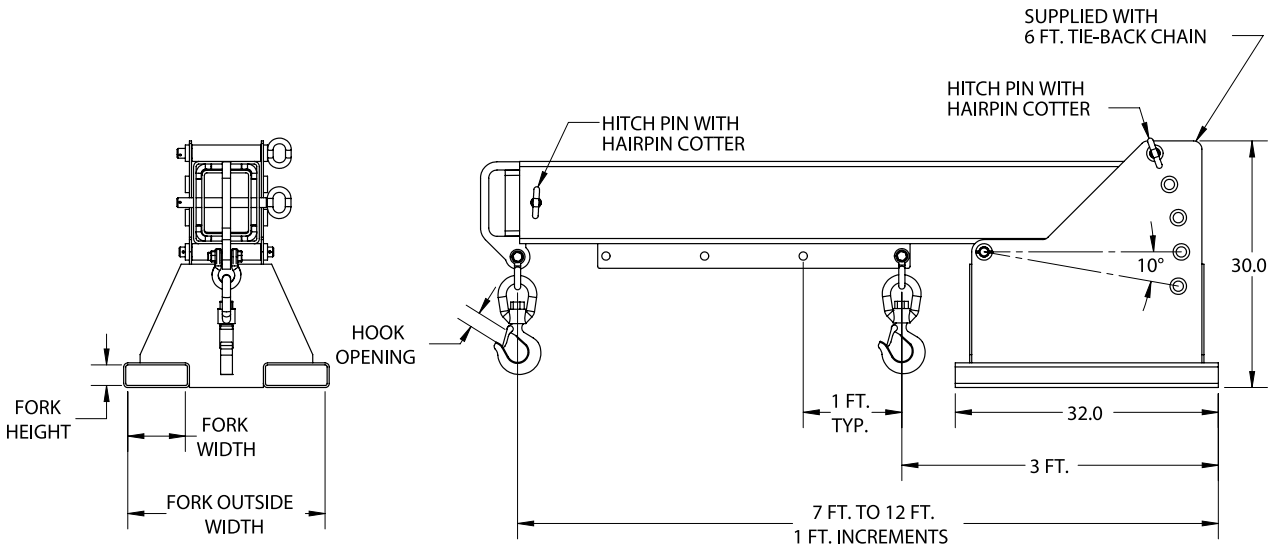
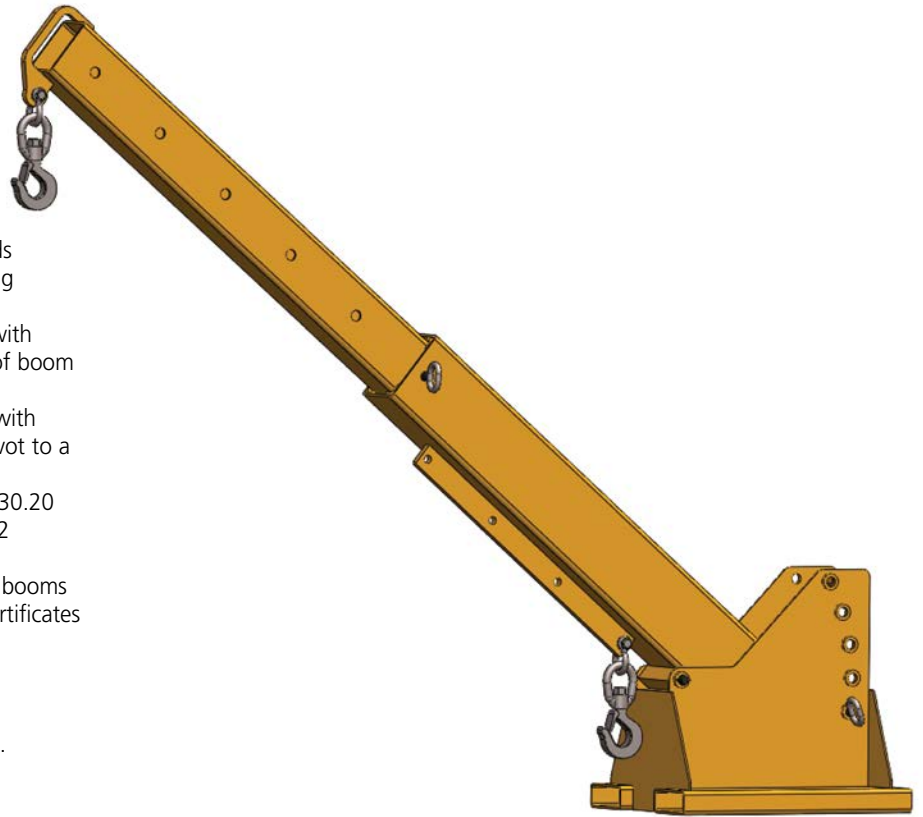
## HTBP TELESCOPING PIVOT FORK TRUCK BOOM

### FEATURES

- This style of fork truck attachment is designed to efficiently lift and carry loads with a telescoping pivot boom with locking pin allowing for multiple hook positions.
- Supplied with standard restraining chain with grab hook and attached handle for ease of boom extension.
- 12' maximum boom reach, and supplied with standard swivel or fixed hooks and can pivot to a vertical height of 6'4".
- Engineered and manufactured to ASME B30.20 & BTH-1 Design Category B Service Class 2 (where applicable).
- 100% of ALL telescoping pivot fork truck booms are Proof-Tested to 125% capacity and certificates supplied at No Additional Charge.
- Made in USA.

### OPTIONS

- Additional sizes and capacities available.



Model # Fixed	Dimensions (Inches)					Max Capacity at Hook Position (Lbs.)							Weight (Lbs.)
	Fork Opening Height	Fork Opening Width	Fork Outside Width	Headroom	Hook Opening	3' to 6'	7'	8'	9'	10'	11'	12'	
HTBP-30	2.5	7	22.5	30	1	3000	3000	2600	2200	1900	1600	1500	565
HTBP-40	2.5	7	22.5	30	1.09	4000	3200	2600	2200	1900	1600	1500	565
HTBP-60	2.5	7	22.5	30	1.36	6000	5000	4200	3500	3000	2700	2500	680
HTBP-80	2.5	7	22.5	30	1.61	8000	7000	5700	4800	4100	3600	3100	870



**DO NOT EXCEED CAPACITY!**  
See the SAFETY GUIDELINES section before using these products. Pages 92-95.

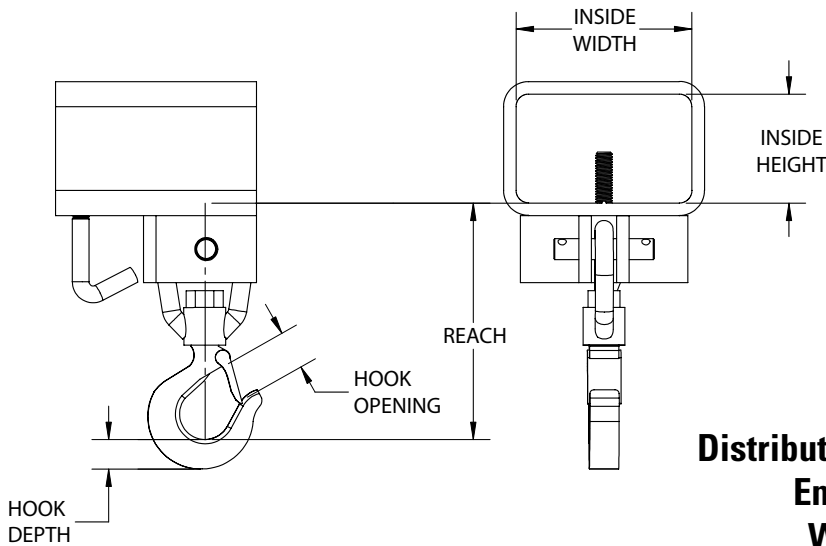
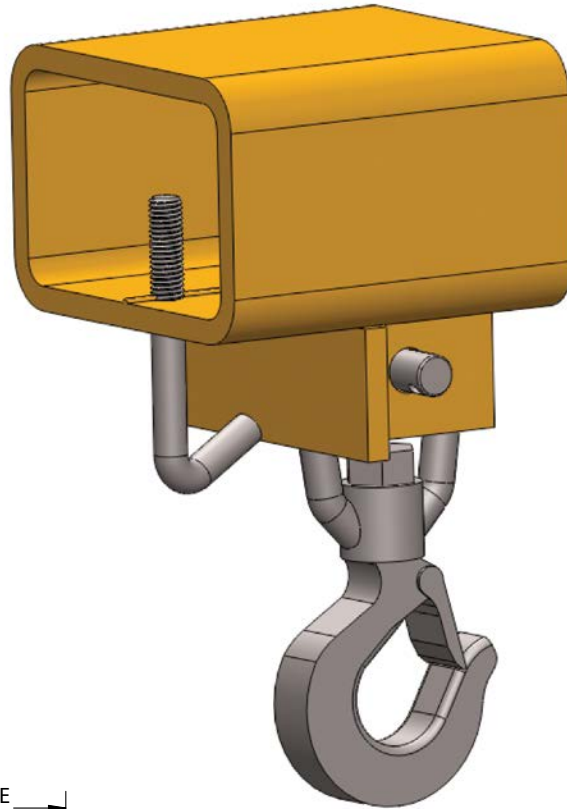
## HFH FORK TRUCK HOOK

### FEATURES

- This style of fork truck attachment is designed to efficiently lift and carry loads on the fork of a lift truck with a single latched fixed or swivel hook.
- Easily attaches to the forks.
- Engineered and manufactured to ASME B30.20 & BTH-1 Design Category B Service Class 2 (where applicable).
- 100% of ALL fork truck hooks are Proof-Tested to 125% capacity and certificates supplied at No Additional Charge.
- Made in USA.

### OPTIONS

- Additional sizes and capacities available



Distributed by Tri-State Equipment Company Inc.  
 Email: [sales@tsoverheadcrane.com](mailto:sales@tsoverheadcrane.com)  
 Web: [www.tsoverheadcrane.com](http://www.tsoverheadcrane.com)  
 PH: 314-869-7200 | FAX: 314-869-7226

Model # Fixed	Model # Swivel	Capacity (US Tons)*	Dimensions (Inches)						Weight (Lbs.)
			Inside Beam Width	Inside Beam Height	Hook Reach Fixed	Hook Reach Swivel	Hook Depth	Hook Opening	
HFH-1.5-4.5	FHS-1.5-4.5	1.5	5.25	3.25	4.69	6.56	1	1	17
HFH-1.5-5.5	FHS-1.5-5.5	1.5	6	3	4.69	6.56	1	1	22
HFH-1.5-6.5	FHS-1.5-6.5	1.5	7	3	4.69	6.56	1	1	24

\*1 US Ton = 2,000 lbs.



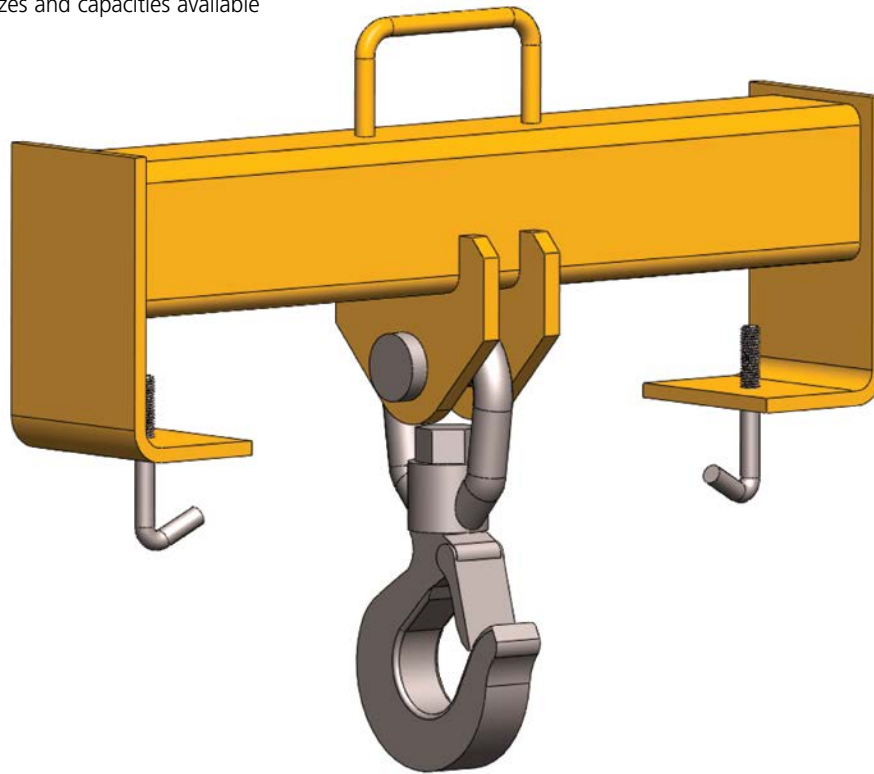
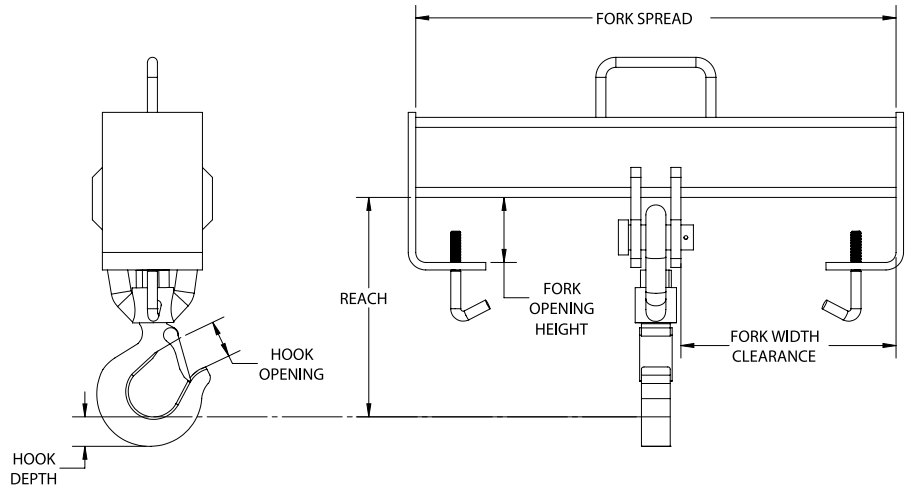
## HFHB FORK TRUCK HOOK BEAM

### FEATURES

- This style of fork truck attachment is designed to efficiently lift and carry loads on both forks of a lift truck with a single latched fixed or swivel hook.
- Easily attaches to the forks.
- Engineered and manufactured to ASME B30.20 & BTH-1 Design Category B Service Class 2 (where applicable).
- 100% of ALL fork truck hooks are Proof-Tested to 125% capacity and certificates supplied at No Additional Charge.
- Made in USA.

### OPTIONS

- Additional sizes and capacities available



Model # Fixed	Model # Swivel	Capacity (US Tons)*	Dimensions (Inches)							Weight (Lbs.)
			Fork Spread	Fork Opening Height	Fork Width Clearance	Hook Reach Fixed	Hook Reach Swivel	Hook Depth	Hook Opening	
HFHB-2-20	FHBS-2-20	2	20	3.25	9.13	7.25	8.88	1.13	1.16	25
HFHB-5-24	FHBS-5-24	5	24	3.25	10.75	9.25	11.44	1.81	1.69	50
HFHB-5-36	FHBS-5-36	5	36	3.25	16.75	9.25	11.44	1.81	1.69	80
HFHB-7.5-36	FHBS-7.5-36	7.5	36	4.25	16.25	13.75	15.75	2.25	2.22	175
HFHB-10-36	FHBS-10-36	10	36	4.25	16	14.63	16.44	2.59	2.41	190
HFHB-15-36	FHBS-15-36	15	36	4.25	15.88	14.5	16.31	2.59	2.41	220

\*1 US Ton = 2,000 lbs.



**DO NOT EXCEED CAPACITY!**  
See the SAFETY GUIDELINES section before using these products. Pages 92-95.

## HFHBD

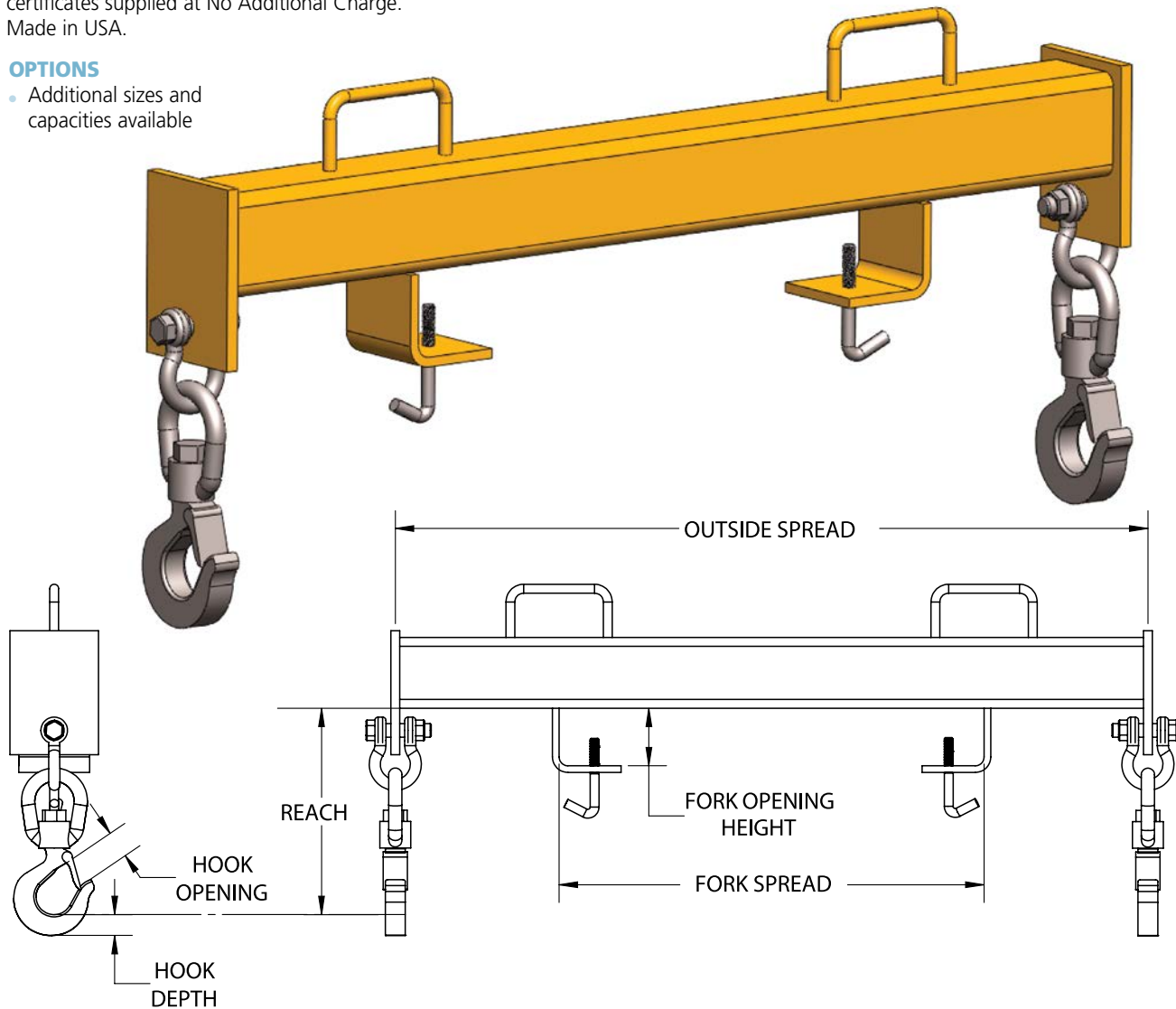
### FORK TRUCK DOUBLE HOOK BEAM

#### FEATURES

- This style of fork truck attachment is designed to efficiently lift and carry loads on both forks of a lift truck with two latched swivel hooks.
- Easily attaches to the forks.
- Engineered and manufactured to ASME B30.20 & BTH-1 Design Category B Service Class 2 (where applicable).
- 100% of ALL fork truck hooks are Proof-Tested to 125% capacity and certificates supplied at No Additional Charge.
- Made in USA.

#### OPTIONS

- Additional sizes and capacities available



FORK TRUCK ACC.

Model #	Capacity (US Tons)*	Dimensions (Inches)						Weight (Lbs.)
		Outside Beam Spread	Fork Spread	Fork Opening Height	Hook Reach	Hook Depth	Hook Opening	
HFHBD-2-20	2	20	6.63	3.25	10.38	1.44	0.91	66
HFHBD-5-24	5	24	9.38	3.25	11.66	1.44	1.36	75

\*1 US Ton = 2,000 lbs.

Distributed by Tri-State Equipment Company Inc. Email:

[sales@tsoverheadcrane.com](mailto:sales@tsoverheadcrane.com)

Web: [www.tsoverheadcrane.com](http://www.tsoverheadcrane.com)

PH: 314-869-7200 | FAX: 314-869-7226

