

HPL

FIXED FORK PALLET LIFTERPage 72



HPLAF

ADJUSTABLE FORK PALLET LIFTER.....Page 73



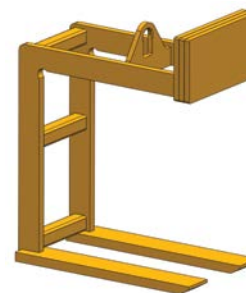
HPLHW

ADJUSTABLE FORK PALLET LIFTER.....Page 74



HPLHD

FIXED FORK HEAVY DUTY PALLET LIFTER.....Page 75



HPLHA

ADJUSTABLE FORK HEAVY DUTY PALLET LIFTER.....Page 76



HPLAH

ADJUSTABLE FORK HEAVY DUTY PALLET LIFTER
w/Hand Wheel.....Page 77



HPLWL

WHEELED PALLET LIFTER.....Page 78



HPLLW

LIGHTWEIGHT PALLET LIFTER.....Page 79



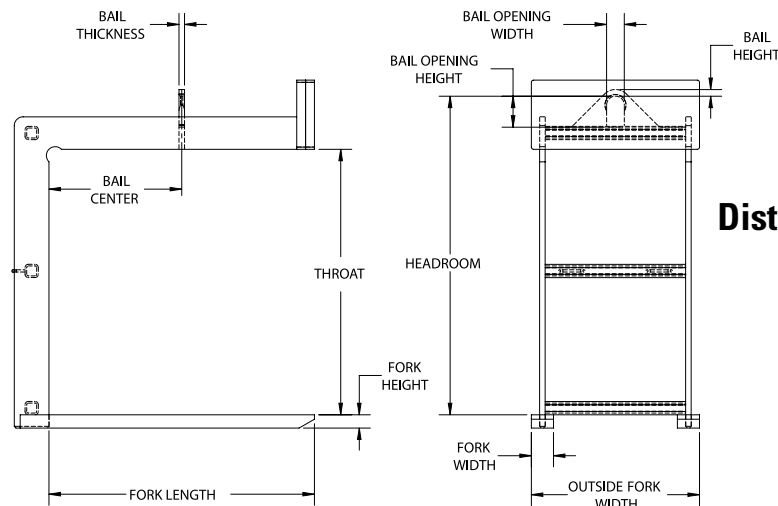
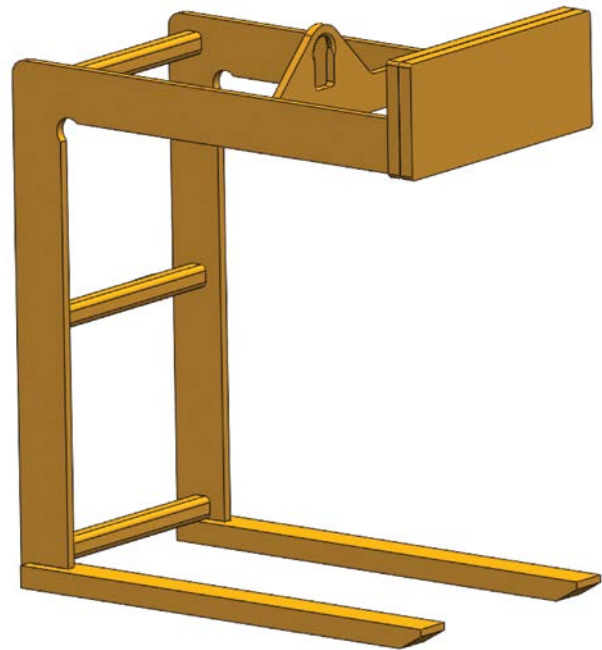
HPL FIXED FORK PALLET LIFTER

FEATURES

- This style of lifter is designed to lift and carry palletized loads efficiently with an overhead crane.
- Counter balanced to hang level when unloaded.
- Easily maintained low headroom design.
- The bail is a lower headroom design and is positioned to avoid side loading the crane hook.
- Engineered and manufactured to ASME B30.20 & BTH-1 Design Category B Service Class 2.
- 100% of ALL pallet lifters are Proof-Tested to 125% capacity and certificates supplied at No Additional Charge.
- Made in USA.

OPTIONS

- Larger throat openings
- Greater outside fork widths
- Additional sizes and capacities available



Distributed by Tri-State Equipment Company Inc.

Email: sales@tsoverheadcrane.com

Web: www.tsoverheadcrane.com

PH: 314-869-7200 | FAX: 314-869-7226

Model #	Capacity (US Tons)*	Dimensions (Inches)											Weight (Lbs.)
		Fork Length	Fork Width	Fork Height	Outside Fork Width	Bail Center	Throat Opening Height	Headroom	Bail Height	Bail Opening Width	Bail Opening Height	Bail Thickness	
HPL-1-36	1	36	2	2	25	18	48	57.5	0.88	3	5	0.75	425
HPL-1-42	1	42	2	2	25	21	48	57.5	0.88	3	5	0.75	450
HPL-1-48	1	48	2	2	25	24	48	58.5	0.88	3	5	0.75	540
HPL-1.5-36	1.5	36	3	2	25	18	48	58.5	0.88	3	5	0.75	565
HPL-1.5-42	1.5	42	3	2	25	21	48	58.5	0.88	3	5	0.75	630
HPL-1.5-48	1.5	48	3	2	25	24	48	58.5	0.88	3	5	0.75	665
HPL-2-36	2	36	3	2	25	18	48	59.5	0.88	3	5	0.75	650
HPL-2-42	2	42	4	2	25	21	48	59.5	0.88	3	5	0.75	780
HPL-2-48	2	48	4	2	25	24	48	59.5	0.88	3	5	0.75	910
HPL-3-42	3	42	4.5	2.5	25	21	48	61.5	1.25	3	5	1	1110
HPL-3-48	3	48	4.5	2.5	27	24	48	61.5	1.25	3	5	1	1195
HPL-3-54	3	54	4.5	2.5	30	27	48	61.5	1.25	3	5	1	1405
HPL-4-48	4	48	5	3	27	24	48	63.5	1.25	3	5	1	1705
HPL-4-60	4	60	5	3	30	30	60	75.5	1.25	3	5	1	2020
HPL-5-48	5	48	5	3	30	24	48	63.5	1.5	4	7	1.25	1730
HPL-5-60	5	60	5	3	38	30	60	75.5	1.5	4	7	1.25	2035

NOTE: Additional 2"-3" clearance is recommended above the load for ease of loading and unloading the pallet lifter.

*1 US Ton = 2,000 lbs.



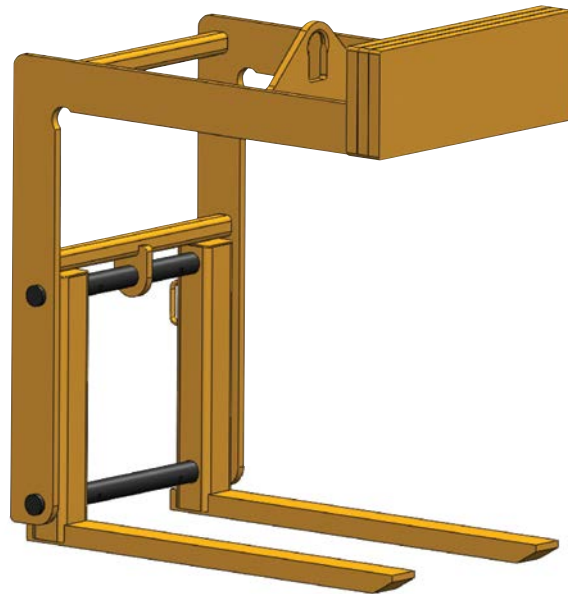
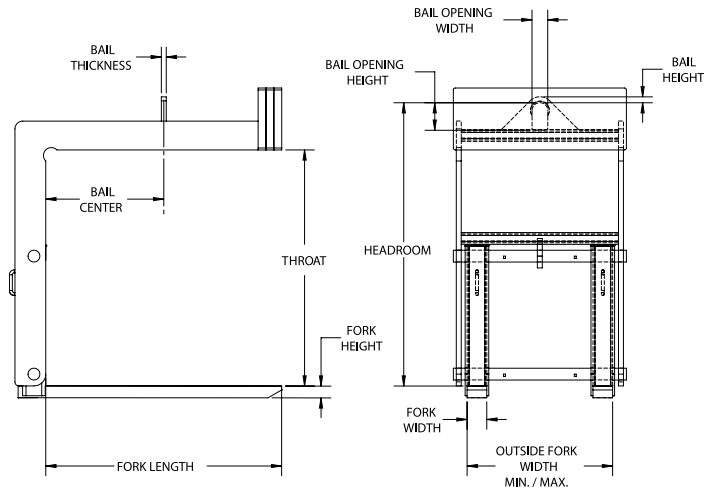
HPLAF ADJUSTABLE FORK PALLET LIFTER

FEATURES

- This style of lifter is designed to lift and carry palletized loads efficiently with an overhead crane.
- Supplied standard with manually adjustable forks that allow the lifter to handle various pallet sizes.
- Counter balanced to hang level when unloaded.
- Easily maintained low headroom design.
- The bail is a lower headroom design and is positioned to avoid side loading the crane hook.
- Engineered and manufactured to ASME B30.20 & BTH-1 Design Category B Service Class 2.
- 100% of ALL pallet lifters are Proof-Tested to 125% capacity and certificates supplied at No Additional Charge.
- Made in USA.

OPTIONS

- Larger throat openings
- Greater outside fork widths
- Additional sizes and capacities available



Model #	Capacity (US Tons)*	Dimensions (Inches)											Weight (Lbs.)
		Fork Length	Fork Width	Fork Height	Outside Fork Width Min/Max	Bail Center	Throat Opening Height	Head-room	Bail Height	Bail Opening Width	Bail Opening Height	Bail Thickness	
HPLAF-1-36	1	36	2	2	16/38	18	48	58	0.88	3	5	0.75	900
HPLAF-1-42	1	42	2	2	16/38	21	48	58	0.88	3	5	0.75	1025
HPLAF-1-48	1	48	2	2	16/38	24	48	59	0.88	3	5	0.75	1050
HPLAF-1.5-36	1.5	36	3	2	16/38	18	48	59	0.88	3	5	0.75	1140
HPLAF-1.5-42	1.5	42	3	2	16/38	21	48	59	0.88	3	5	0.75	1215
HPLAF-1.5-48	1.5	48	3	2	16/38	24	48	60	0.88	3	5	0.75	1285
HPLAF-2-36	2	36	3	2	16/38	18	48	60	0.88	3	5	0.75	1325
HPLAF-2-42	2	42	4	2	16/38	21	48	60	0.88	3	5	0.75	1435
HPLAF-2-48	2	48	4	2	16/38	24	48	60	0.88	3	5	0.75	1460
HPLAF-3-42	3	42	4.5	2.5	16/38	21	48	61.5	1.25	3	5	1	1690
HPLAF-3-48	3	48	4.5	2.5	16/38	24	48	61.5	1.25	3	5	1	1850
HPLAF-3-54	3	54	4.5	2.5	16/38	27	48	63	1.25	3	5	1	2700
HPLAF-4-48	4	48	5	3	16/38	24	48	64	1.25	3	5	1	2160
HPLAF-4-60	4	60	5	3	16/38	30	60	76	1.25	3	5	1	3025
HPLAF-5-48	5	48	5	3	16/38	24	48	65	1.5	4	7	1.25	2520
HPLAF-5-60	5	60	5	3	16/38	30	60	77	1.5	4	7	1.25	2960

NOTE: Additional 2"-3" clearance is recommended above the load for ease of loading and unloading the pallet lifter.

*1 US Ton = 2,000 lbs.



DO NOT EXCEED CAPACITY!
See the SAFETY GUIDELINES section before using these products. Pages 92-95.

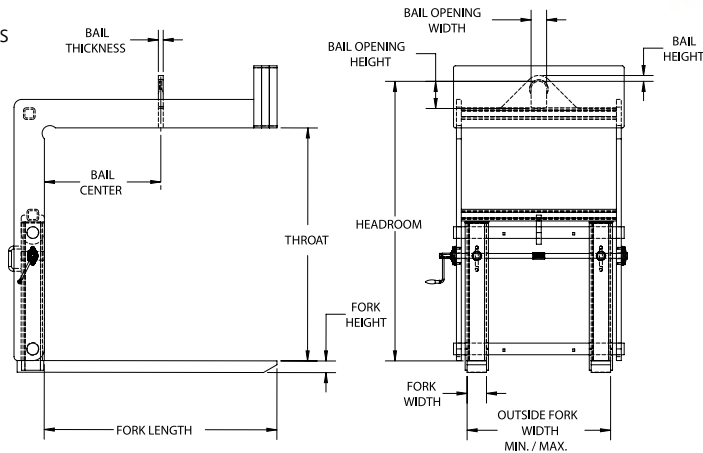
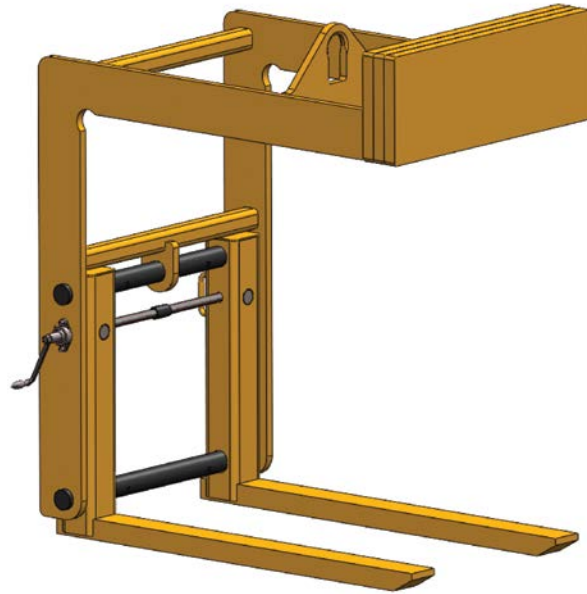
HPLHW ADJUSTABLE FORK PALLET LIFTER w/HAND WHEEL

FEATURES

- This style of lifter is designed to lift and carry palletized loads efficiently with an overhead crane.
- Supplied standard with a hand wheel to adjust forks to allow the lifter to handle various pallet sizes.
- Counter balanced to hang level when unloaded.
- Easily maintained low headroom design.
- The bail is a lower headroom design and is positioned to avoid side loading the crane hook.
- Engineered and manufactured to ASME B30.20 & BTH-1 Design Category B Service Class 2.
- 100% of ALL pallet lifters are Proof-Tested to 125% capacity and certificates supplied at No Additional Charge.
- Made in USA.

OPTIONS

- Larger throat openings
- Greater outside fork widths
- Additional sizes and capacities available



Model #	Capacity (US Tons)*	Dimensions (Inches)											Weight (Lbs.)
		Fork Length	Fork Width	Fork Height	Outside Fork Width Min/Max	Bail Center	Throat Opening Height	Head-room	Bail Height	Bail Opening Width	Bail Opening Height	Bail Thickness	
HPLHW-1-36	1	36	2	2	16/38	18	48	58	0.88	3	5	0.75	950
HPLHW-1-42	1	42	2	2	16/38	21	48	58	0.88	3	5	0.75	1075
HPLHW-1-48	1	48	2	2	16/38	24	48	59	0.88	3	5	0.75	1100
HPLHW-1.5-36	1.5	36	3	2	16/38	18	48	59	0.88	3	5	0.75	1190
HPLHW-1.5-42	1.5	42	3	2	16/38	21	48	59	0.88	3	5	0.75	1265
HPLHW-1.5-48	1.5	48	3	2	16/38	24	48	60	0.88	3	5	0.75	1335
HPLHW-2-36	2	36	3	2	16/38	18	48	60	0.88	3	5	0.75	1275
HPLHW-2-42	2	42	4	2	16/38	21	48	60	0.88	3	5	0.75	1485
HPLHW-2-48	2	48	4	2	16/38	24	48	60	0.88	3	5	0.75	1510
HPLHW-3-42	3	42	4.5	2.5	16/38	21	48	61.5	1.25	3	5	1	1740
HPLHW-3-48	3	48	4.5	2.5	16/38	24	48	61.5	1.25	3	5	1	1900
HPLHW-3-54	3	54	4.5	2.5	16/38	27	48	63	1.25	3	5	1	2750
HPLHW-4-48	4	48	5	3	16/38	24	48	64	1.25	3	5	1	2210
HPLHW-4-60	4	60	5	3	16/38	30	60	76	1.25	3	5	1	3075
HPLHW-5-48	5	48	5	3	16/38	24	48	65	1.5	4	7	1.25	2570
HPLHW-5-60	5	60	5	3	16/38	30	60	77	1.5	4	7	1.25	3010

NOTE: Additional 2"-3" clearance is recommended above the load for ease of loading and unloading the pallet lifter.

*1 US Ton = 2,000 lbs.



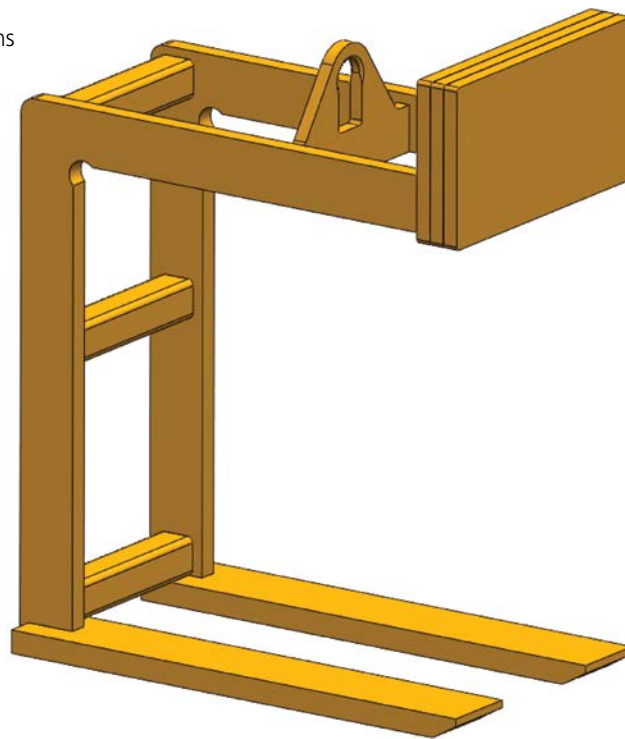
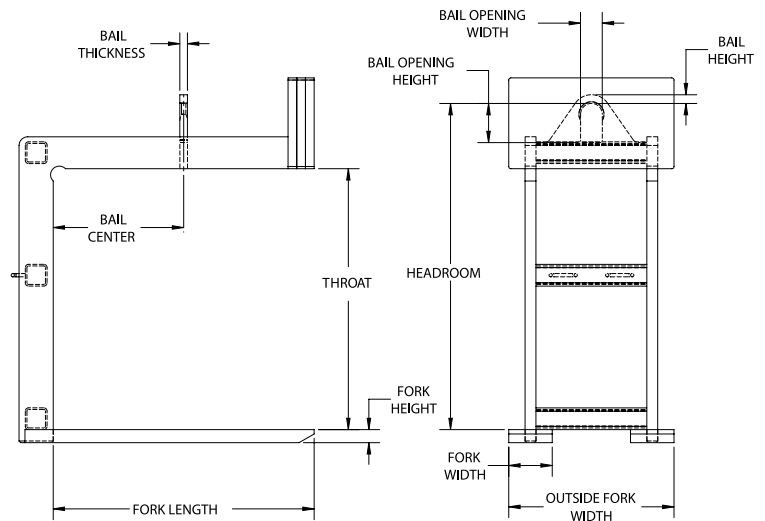
HPLHD FIXED FORK HEAVY DUTY PALLET LIFTER

FEATURES

- This style of lifter is designed with a double frame to lift and carry heavy palletized loads efficiently with an overhead crane.
- Counter balanced to hang level when unloaded.
- Easily maintained low headroom design.
- The bail is a lower headroom design and is positioned to avoid side loading the crane hook.
- Engineered and manufactured to ASME B30.20 & BTH-1 Design Category B Service Class 2.
- 100% of ALL pallet lifters are Proof-Tested to 125% capacity and certificates supplied at No Additional Charge.
- Made in USA.

OPTIONS

- Larger throat openings
- Greater outside fork widths
- Additional sizes and capacities available



Model #	Capacity (US Tons)*	Dimensions (Inches)											Weight (Lbs.)
		Fork Length	Fork Width	Fork Height	Outside Fork Width	Bail Center	Throat Opening Height	Head-room	Bail Height	Bail Opening Width	Bail Opening Height	Bail Thickness	
HPLHD-7.5-48	7.5	48	6	3	30	24	48	65	1.50	4	7	1.50	2485
HPLHD-7.5-60	7.5	60	8	3	38	30	60	79	1.50	4	7	1.50	3120
HPLHD-10-48	10	48	8	3	30	24	48	69	2	5	9	1.75	2540
HPLHD-10-60	10	60	10	3	38	30	60	81	2	5	9	1.75	4025
HPLHD-15-48	15	48	10	3	38	24	60	84	2	5	9	1.75	2925
HPLHD-15-60	15	60	10	3.5	38	30	60	75	2	5	9	1.75	4940
HPLHD-20-60	20	60	10	4	38	30	60	88	2.25	6	12	2	5590
HPLHD-20-72	20	72	12	4	44	36	60	88	2.25	6	12	2	6300

NOTE: Additional 2"-3" clearance is recommended above the load for ease of loading and unloading the pallet lifter.

*1 US Ton = 2,000 lbs.



DO NOT EXCEED CAPACITY!
See the SAFETY GUIDELINES section before using these products. Pages 92-95.

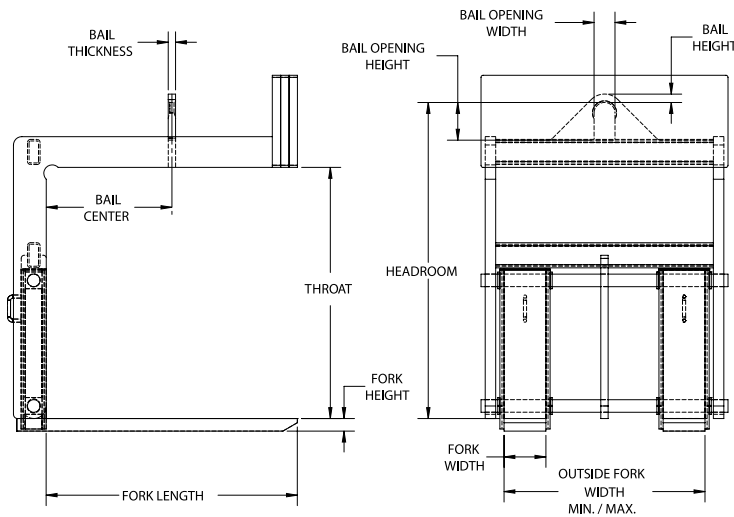
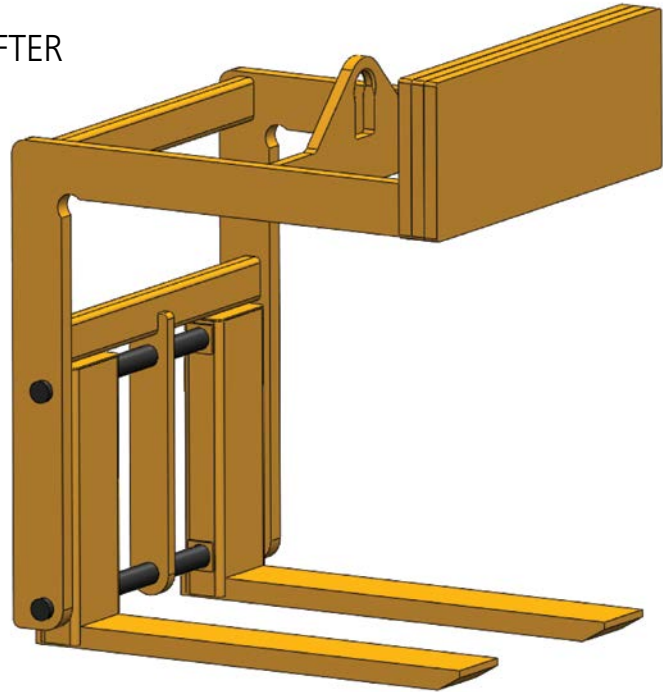
HPLHA ADJUSTABLE FORK HEAVY DUTY PALLET LIFTER

FEATURES

- This style of lifter is designed with a double frame and forged forks to lift and carry heavy palletized loads efficiently with an overhead crane.
- Supplied standard with manually adjustable forks that allow the lifter to handle various pallet sizes.
- Counter balanced to hang level when unloaded.
- Easily maintained low headroom design.
- The bail is a lower headroom design and is positioned to avoid side loading the crane hook.
- Engineered and manufactured to ASME B30.20 & BTH-1 Design Category B Service Class 2.
- 100% of ALL pallet lifters are Proof-Tested to 125% capacity and certificates supplied at No Additional Charge.
- Made in USA.

OPTIONS

- Larger throat openings
- Greater outside fork widths
- Additional sizes and capacities available



PALLET LIFTERS

Model #	Capacity (US Tons)*	Dimensions (Inches)											Weight (Lbs.)
		Fork Length	Fork Width	Fork Height	Outside Fork Width Min/Max	Bail Center	Throat Opening Height	Headroom	Bail Height	Bail Opening Width	Bail Opening Height	Bail Thickness	
HPLHA-7.5-48	7.5	48	6	3	16/48	24	48	61	1.50	4	7	1.50	3200
HPLHA-7.5-60	7.5	60	8	3	20/48	30	60	74	1.50	4	7	1.50	4300
HPLHA-7.5-72	7.5	72	10	3	24/48	36	60	76	1.50	4	7	1.50	4900
HPLHA-10-48	10	48	8	3	20/48	24	48	64	2	5	9	1.75	3800
HPLHA-10-60	10	60	10	3	24/48	30	60	76	2	5	9	1.75	5600
HPLHA-10-72	10	72	10	3.5	24/48	36	60	76	2	5	9	1.75	6400
HPLHA-12.5-48	12.5	48	8	3	16/48	24	48	78	2	5	9	1.75	5100
HPLHA-12.5-60	12.5	60	10	3	24/48	30	60	78	2	5	9	1.75	6200
HPLHA-12.5-72	12.5	72	10	3.5	24/48	36	60	78	2	5	9	1.75	7200

NOTE: Additional 2"-3" clearance is recommended above the load for ease of loading and unloading the pallet lifter.

*1 US Ton = 2,000 lbs.



DO NOT EXCEED CAPACITY!
See the SAFETY GUIDELINES section before using these products. Pages 92-95.

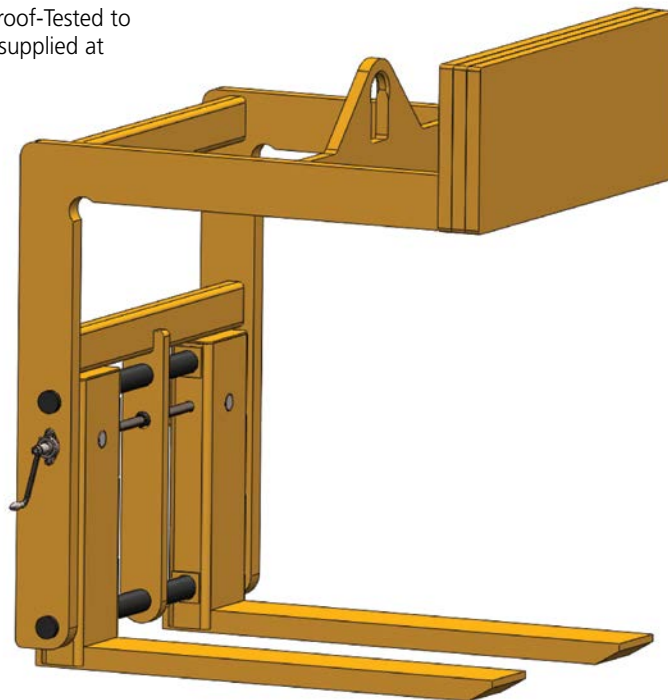
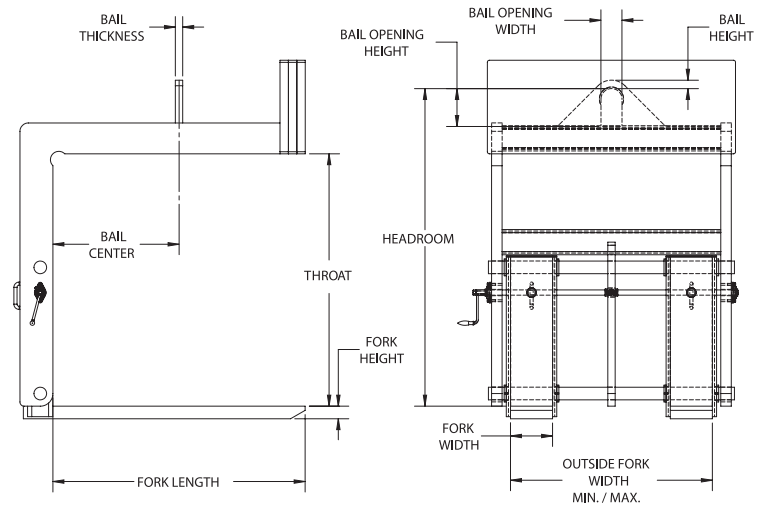
HPLAH ADJUSTABLE FORK HEAVY DUTY PALLET LIFTER w/Hand Wheel

FEATURES

- This style of lifter is designed with a double frame and forged forks to lift and carry heavy palletized loads efficiently with an overhead crane.
- Supplied standard with a hand wheel to adjust forks to allow the lifter to handle various pallet sizes.
- Counter balanced to hang level when unloaded.
- Easily maintained low headroom design.
- The bail is a lower headroom design and is positioned to avoid side loading the crane hook.
- Engineered and manufactured to ASME B30.20 & BTH-1 Design Category B Service Class 2.
- 100% of ALL pallet lifters are Proof-Tested to 125% capacity and certificates supplied at No Additional Charge.
- Made in USA.

OPTIONS

- Larger throat openings
- Greater outside fork widths
- Additional sizes and capacities available



Model #	Capacity (US Tons)*	Dimensions (Inches)											Weight (Lbs.)
		Fork Length	Fork Width	Fork Height	Outside Fork Width Min/Max	Bail Center	Throat Opening Height	Head-room	Bail Height	Bail Opening Width	Bail Opening Height	Bail Thickness	
HPLAH-7.5-48	7.5	48	6	3	16/48	24	48	66	1.50	4	7	1.50	3350
HPLAH-7.5-60	7.5	60	8	3	20/48	30	60	77.5	1.50	4	7	1.50	4550
HPLAH-7.5-72	7.5	72	10	3	24/48	36	60	80	1.50	4	7	1.50	5050
HPLAH-10-48	10	48	8	3	20/48	24	48	65.5	2	5	9	1.75	3950
HPLAH-10-60	10	60	10	3	24/48	30	60	77.5	2	5	9	1.75	5750
HPLAH-10-72	10	72	10	3.5	24/48	36	60	82	2	5	9	1.75	6550
HPLAH-12.5-48	12.5	48	8	3	16/48	24	48	82	2	5	9	1.75	5250
HPLAH-12.5-60	12.5	60	10	3	24/48	30	60	82	2	5	9	1.75	6350
HPLAH-12.5-72	12.5	72	10	3.5	24/48	36	60	82	2	5	9	1.75	7350
HPLAH-15-60	15	60	10	3.5	24/48	30	60	82	2	5	9	1.75	7050
HPLAH-15-72	15	72	12	3.5	28/48	36	60	82.5	2	5	9	1.75	8450

NOTE: Additional 2"-3" clearance is recommended above the load for ease of loading and unloading the pallet lifter.

*1 US Ton = 2,000 lbs.



DO NOT EXCEED CAPACITY!
See the SAFETY GUIDELINES section before using these products. Pages 92-95.

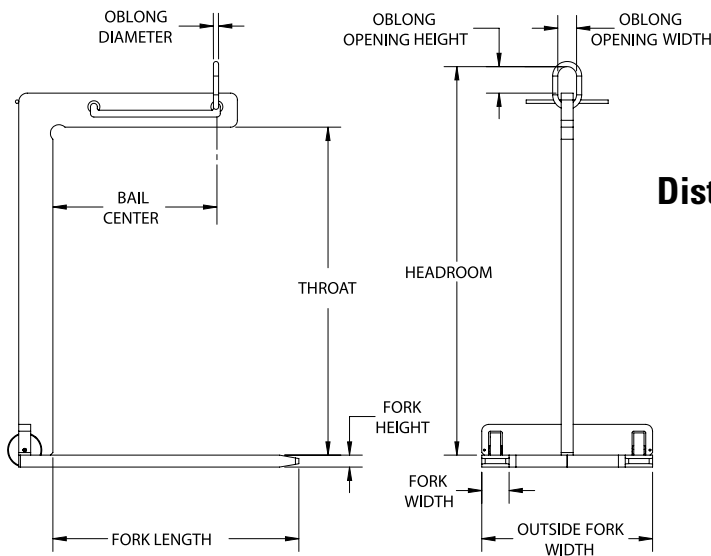
HPLWL WHEELED PALLET LIFTER

FEATURES

- This style of lifter is designed to lift and carry palletized loads efficiently with an overhead crane.
- Wheeled design allows for ease of movement to the load and dual lift points allow the lifter to hang level when unloaded.
- Easily maintained low headroom design.
- Engineered and manufactured to ASME B30.20 & BTH-1 Design Category B Service Class 2.
- 100% of ALL pallet lifters are Proof-Tested to 125% capacity and certificates supplied at No Additional Charge.
- Made in USA.

OPTIONS

- Larger throat openings
- Greater outside fork widths
- Additional sizes and capacities available



Distributed by Tri-State Equipment Company Inc.

Email: sales@tsoverheadcrane.com

Web: www.tsoverheadcrane.com

PH: 314-869-7200 | FAX: 314-869-7226

Model #	Capacity (US Tons)*	Dimensions (Inches)										Weight (Lbs.)
		Fork Length	Fork Width	Fork Height	Outside Fork Width	Bail Center	Throat Opening Height	Head-room	Oblong ML Diameter	Oblong ML Opening Width	Oblong ML Opening Height	
HPLWL-1-48	1	36	2	1.75	25	24	48	53	0.63	3	6	255
HPLWL-2-48	2	36	4	1.75	25	24	48	57	0.63	3	6	435

NOTE: Additional 2"-3" clearance is recommended above the load for ease of loading and unloading the pallet lifter.

*1 US Ton = 2,000 lbs.



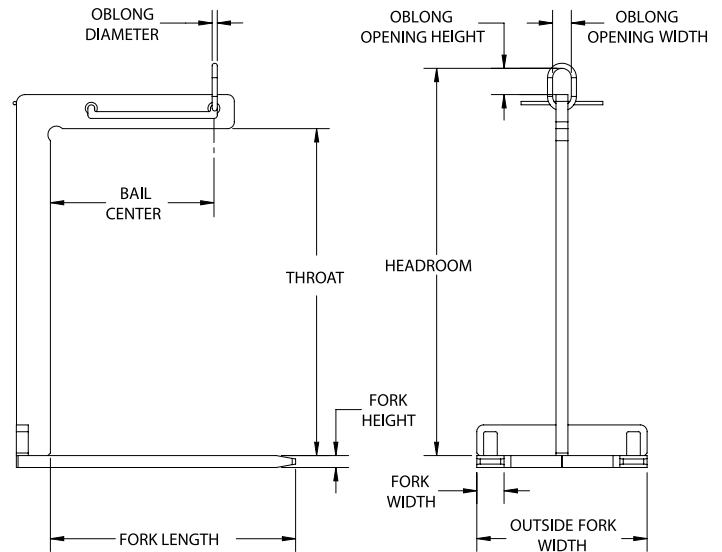
HPLLW LIGHTWEIGHT PALLET LIFTER

FEATURES

- This style of lifter is designed to lift and carry palletized loads efficiently with an overhead crane.
- Lightweight design allows for ease of movement to the load and dual lift points allow the lifter to hang level when unloaded.
- Easily maintained low headroom design.
- Engineered and manufactured to ASME B30.20 & BTH-1 Design Category B Service Class 2.
- 100% of ALL pallet lifters are Proof-Tested to 125% capacity and certificates supplied at No Additional Charge.
- Made in USA.

OPTIONS

- Larger throat openings
- Greater outside fork widths
- Additional sizes and capacities available



Distributed by Tri-State Equipment Company Inc.

Email: sales@tsoverheadcrane.com

Web: www.tsoverheadcrane.com

PH: 314-869-7200 | FAX: 314-869-7226

Model #	Capacity (US Tons)*	Dimensions (Inches)										Weight (Lbs.)
		Fork Length	Fork Width	Fork Height	Outside Fork Width	Bail Center	Throat Opening Height	Headroom	Oblong ML Diameter	Oblong ML Opening Width	Oblong ML Opening Height	
HPLLW-1-48	1	36	2	1.75	25	24	48	53	0.63	3	6	245
HPLLW-2-48	2	36	4	1.75	25	24	48	57	0.63	3	6	425
HPLLW-3-48	3	36	5	2	27	24	48	62	1	3.5	7	625

NOTE: Additional 2"-3" clearance is recommended above the load for ease of loading and unloading the pallet lifter.

*1 US Ton = 2,000 lbs.



DO NOT EXCEED CAPACITY!
See the SAFETY GUIDELINES section before using these products. Pages 92-95.