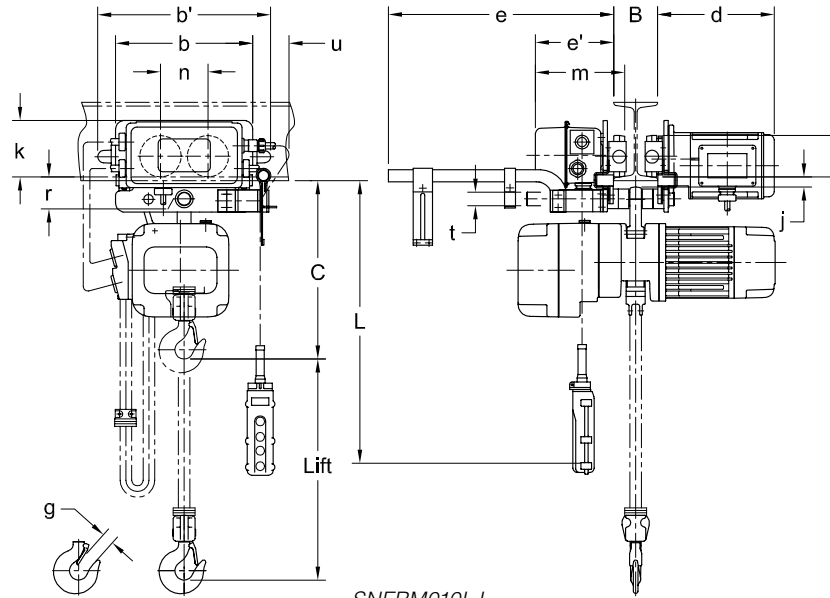


SNER Electric Chain Hoists with Hook and Lug Suspensions and Motorized, Push and Geared Trolleys



SNERM005L



SNERM010L-L

SINGLE SPEED HOIST WITH SINGLE SPEED TROLLEY—SPECIFICATIONS

Cap. (Tons)	Product Code	Std. Lift (ft)	Push Button Cord L (ft)	Lifting Speed (ft/min)	Traversing Speed (ft/min)	Lifting Motor Single Phase 60 Hz			Traversing Motor Single Phase 60 Hz			Flange Width Adjustability B (in)		Min. Allow. Radius for curve (in)	Load Chain Dia. (mm) x Chain Fall Lines	Net Weight (lbs)	Weight for Additional One Foot of Lift (lbs)
						Output (Hp)	Rated Current (amps)		Output (Hp)	Rated Current (amps)		Standard	Optional				
							@ 115V	@ 230V		@ 115V	@ 230V						
1/4	SNERM003S-L/S	10	7.5	14	L = 40 S = 80	0.34	7.7	3.9	0.54	6.2	3.1	2.28 to 5.00	5.01 to 6.02 OR 6.03 to 12.00	31.5	5.0 x 1	168	0.37
1/2	SNERM005L-L/S			7											6.3 x 1	170	0.57
1/2	SNERM005S-L/S			15											6.3 x 1	190	0.57
1	SNERM010L-L/S			7		8.0 x 1	196	0.93									
1	SNERM010S-L/S			14		8.0 x 1	245	0.93									
2	SNERM020L-L/S			7		10.0 x 1	276	1.5									
3	SNERM030C-L/S			8.2		3.5	1.2	23.9							12.0	3.23 to 6.02	6.03 to 7.02 OR 7.03 to 12.00

SINGLE SPEED HOIST WITH SINGLE SPEED TROLLEY—DIMENSIONS

Cap. (Tons)	Product Code	Headroom C (in)	b (in)	b' (in)	d (in)	e (in)	e' (in)	g (in)	i (in)	j (in)	k (in)	m (in)	n (in)	r (in)	t (in)	u (in)
1/4	SNERM003S-L/S	14.6	12.4	15.6	10.6	20.3	7.0	0.9	3.74	0.9	5.1	8.0	4.3	2.0	1.22	3.2
1/2	SNERM005L-L/S	14.6	12.4	15.6	10.6	20.3	7.0	0.9	3.74	0.9	5.1	8.0	4.3	2.0	1.22	3.2
1/2	SNERM005S-L/S	15.4	12.4	15.6	10.6	20.3	7.0	0.9	3.74	0.9	5.1	8.0	4.3	2.0	1.22	3.2
1	SNERM010L-L/S	16.5	12.4	15.6	10.6	20.3	7.0	1.2	3.74	0.9	5.1	8.0	4.3	2.0	1.22	3.2
1	SNERM010S-L/S	17.7	12.4	15.6	10.6	20.3	7.0	1.2	3.74	0.9	5.1	8.0	4.3	2.0	1.22	3.2
2	SNERM020L-L/S	22.2	12.8	16.4	10.7	20.5	7.2	1.5	4.33	1.1	4.9	8.3	4.6	2.4	1.42	3.0
3	SNERM030C-L/S	28.9	13.4	17.4	10.8	20.5	7.3	1.7	4.92	1.1	5.2	8.5	5.2	2.7	1.69	2.7

