



JDN AIR HOISTS MINI



Distributed by Tri-State Equipment Company Inc.
sales@tsoverheadcrane.com
www.tsoverheadcrane.com
Tel: (314) 869-7200

**J·D·NEUHAUS**
1745 engineered for extremes

THE HIGHEST BENCHMARK IN HOISTING TECHNOLOGY

THE NEW JDN MINI

The new JDN Mini is the most compact hoist, with a carrying capacity of up to 980 kg and an integrated NFC sensor with service app that makes it truly unique in the industry. Various innovations came together for the concept.

Developed in collaboration with customers

To make the new JDN Mini the best hoist on the market, we have blazed new trails

in development, and it took us straight to the customer. Or rather: to many customers. We asked how the perfect hoist has to work. We studied a wide variety of different conditions of use on-site and had discussions with end-users. Our engineers took this knowledge and used it to get the ball rolling. This unique process allowed us to achieve truly exceptional results! Maximum productivity, occupational safety, and efficiency. A hoist that the customer can flexibly config-

ure as desired to meet the demands of the specific application. A hoist that is unrivalled in its comfort and ease of use. A hoist that offers extensive time savings in maintenance. A hoist that we can truly say: The highest benchmark in hoisting technology.



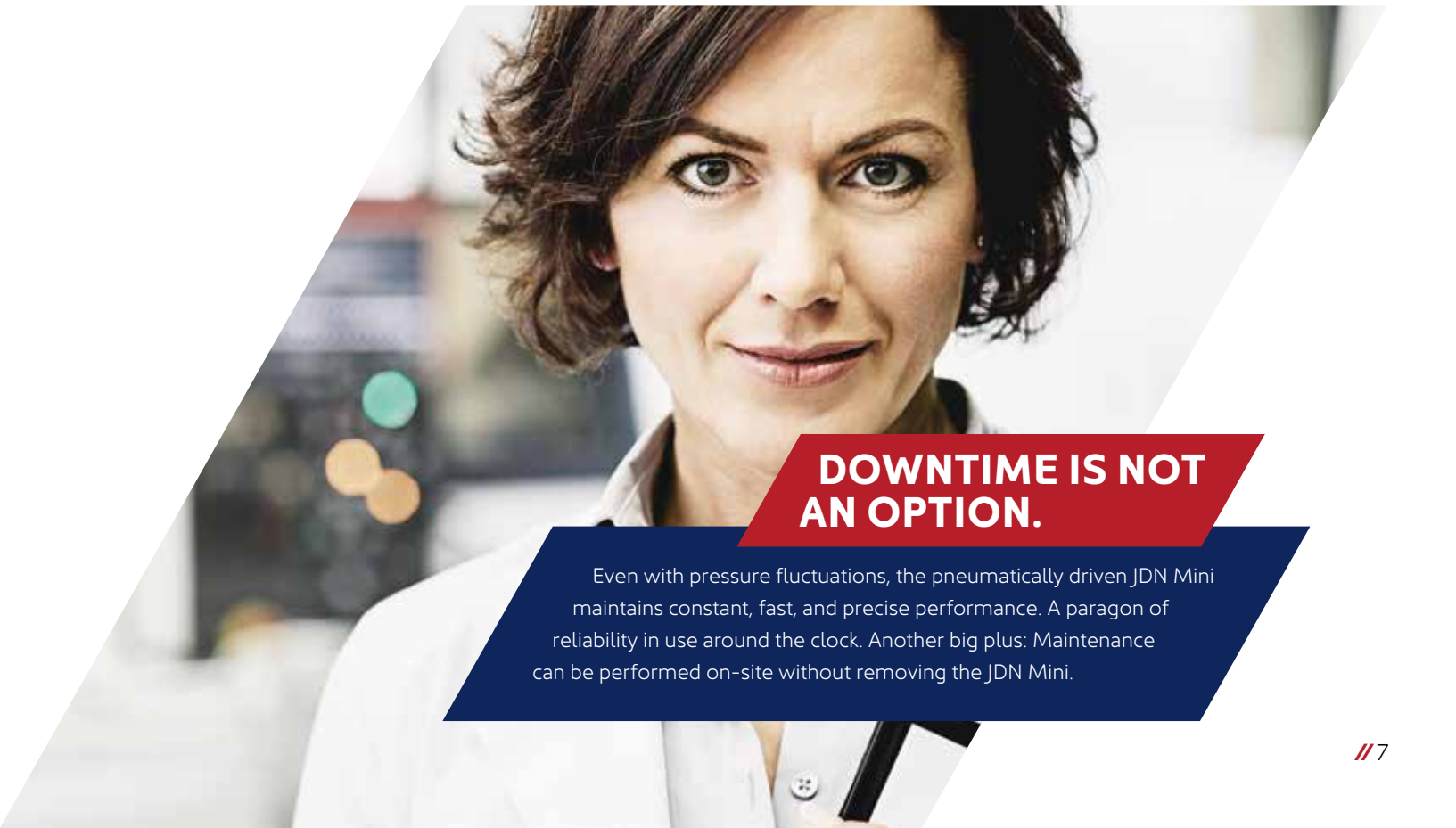
MAXIMUM EFFICIENCY PLEASE.

With a higher working speed, considerably longer lifetime, and drastically reduced downtimes for maintenance, the new JDN Mini offers the lowest TCO values out there (Total Cost of Ownership).



SAFETY? THAT'S OUR TOP PRIORITY!

Best example: the optional redundant support of the new JDN Mini. A brand new innovation on the world market developed to meet demand from specific customer segments. It will react if the structure on which the Mini is mounted fails.



DOWNTIME IS NOT AN OPTION.

Even with pressure fluctuations, the pneumatically driven JDN Mini maintains constant, fast, and precise performance. A paragon of reliability in use around the clock. Another big plus: Maintenance can be performed on-site without removing the JDN Mini.

THIS IS WHAT MAKES THE NEW MINI THE HIGHEST BENCHMARK

MORE SAFETY



When it comes to safety, the JDN Mini offers a new global innovation that meets the needs of a specific customer segment: A redundant optional fall support capable of holding the maximum capacity of a hoist coming free of the supporting structure. The new limit switches offer another safety bonus. They will switch off the lifting and lowering movement as soon as the bumper touches the stop valve. This slows the movement and keeps the chain from being overloaded. All of these features enhance occupational safety significantly and minimise safety hazards and wear risks.

Its intelligent construction increases the number of operating hours of the new JDN Mini through targeted optimisation to 800 hours, thus doubling the amount of time. This considerably enhances its efficiency in comparison to the previous model. Doubling the lifetime makes a significant contribution to the reduction of the total cost of ownership (TCO), since the extended service life means that new devices are purchased much less frequently to replace units that have reached the end of their service life.



LONGER LIFETIME

SENSITIVE CONTROL



J.D. Neuhaus has succeeded in bringing together the advantages of direct and indirect control. So the control is now connected with the casing via a single hose with pull relief, bundling three control lines inside. This enhances operating comfort and flexibility. Added to this are the completely new precision valves, enabling even more precise dosing of the air supply and thus making it possible to lift and lower loads smoothly.

The smartest new development in the area of maintenance is the NFC sensor integrated into the service flap. The user can access the operating instructions and certificates for the hoist by getting on a smartphone and using the new JDN service app. Much of the maintenance work such as lubricating the motor chamber, exchanging the chain guide, and even exchanging the motor unit can now be carried out on the new JDN Mini "on the hook" – without dismantling the Mini. This also saves an incredible amount of time and increases occupational safety.



EASY MAINTENANCE





HIGHER SPEED

The new JDN Mini 500 will reach a maximum lifting speed of 12 m/min at full load (500 kg). This makes it up to 20 % faster than its predecessor – even when it is in constant use and with double lifetime! It doesn't get more productive than that. The maximum speed can also be continuously preset, so reduced, without losing power at a given carrying capacity. This can protect loads even more when necessary and, at the same time, the speed can also be more finely managed.



CUSTOM-FIT CONFIGURATION

The JDN developers have also come up with some innovative ideas when it comes to flexibility: A standardised "interface" for using various types of hooks. Hooks are also available in steel and stainless steel. Together with a load sleeve and chain made of stainless steel as well as a motor housing of uncoated cast aluminium the JDN Mini is perfect for use in fields such as the food industry.



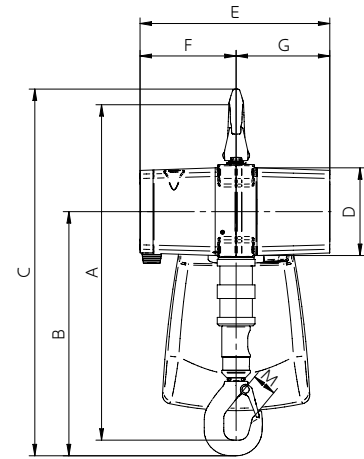
TECHNICAL DATA

Type		mini 125	mini 250	mini 500	mini 1000
Air pressure	psi	87	87	87	87
	bar	6	6	6	6
Carrying capacity	lbs	275	550	1100	2160
	kg	125	250	500	980
Number of chain strands		1	1	1	1
Engine output at full load	kW	0.45	0.45	1	1
Lifting speed at full load	ft/min	65.5	32.8	41	20.7
	m/min	20	10	12.5	6.3
Lifting speed without load	ft/min	131	65.5	65.5	37.7
	m/min	40	20	20	11.5
Lowering speed at full load	ft/min	131	65.5	65.5	39.4
	m/min	40	20	20	12
Lowering speed without load	ft/min	82	41	42.7	24.6
	m/min	25	12.5	13	7.5
Air consumption at full load – lifting	cfm	33.5	33.5	60	60
	m³/min	0.95	0.95	1.7	1.7
Air consumption at full load – lowering	cfm	33.5	33.5	60	60
	m³/min	0.95	0.95	1.7	1.7
Air connection		G ½	G ½	G ½	G ½
Hose dimension (ø inside)	inch	½	½	½	½
	mm	13	13	13	13
Weight at 3 m lift/2 m control length	lbs	22	22	45.2	46.3
	kg	10	10	20.5	21
Chain dimension	mm	4.7 x 14.1	4.7 x 14.1	7.4 x 22	7.4 x 22
Weight of chain	lbs	1.1	1.1	2.6	2.6
	kg/m	0.48	0.48	1.19	1.19
Height of lift	ft	10/16/26	10/16/26	10/16/26	10/16/26
	m	3/5/8	3/5/8	3/5/8	3/5/8
Length of control	ft	6.5/13/23*	6.5/13/23*	6.5/13/23*	6.5/13/23*
	m	2/4/7*	2/4/7*	2/4/7*	2/4/7*
Sound level at full load – lifting ¹	dB(A)	78	78	78	78
Sound level at full load – lowering ¹	dB(A)	80	80	80	80
ATEX Zone		2/22	2/22	2/22	2/22
Mechanism group/life cycle [h]		1 Am/800	1 Am/800	1 Am/800	1 Am/800

*Special lengths up to max. 10 m/33 ft on request.

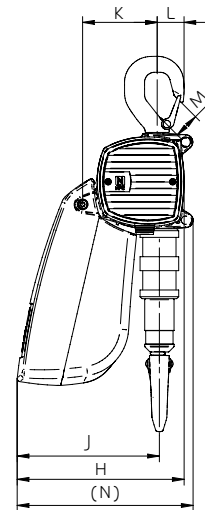
¹Measured in 1 m distance acc. to DIN 45635 part 20.

Performance data at room temperature. Alterations reserved.



DIMENSIONS

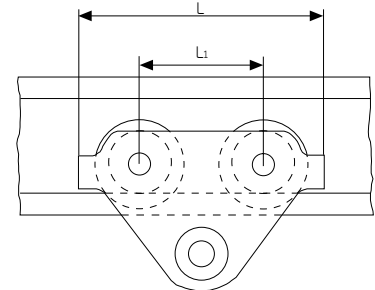
Type	mini 125	mini 250	mini 500	mini 1000
A	14.6 370	14.6 370	20.1 510	20.1 510
B	9.9 252	9.9 252	14.6 370	14.6 370
C	15.8 401	15.8 401	21.9 557	21.9 557
D	3.9 100	3.9 100	5.3 135	5.3 135
E	8.7 220	8.7 220	11.5 292	11.5 292
F	4.4 112	4.4 112	5.8 148	5.8 148
G	4.3 108	4.3 108	5.7 144	5.7 144
H	7.5 191	7.5 191	9.9 252	9.9 252
J	6.5 165	6.5 165	8.4 213	8.4 213
K	3.2 81	3.2 81	4.8 122	4.8 122
L	1.1 28	1.1 28	1.6 41	1.6 41
M	0.7 19	0.7 19	1.1 28	1.1 28
(N)	8 203	8 203	10.4 264	10.4 264



MANUAL TROLLEYS FOR JDN AIR HOISTS MINI

TECHNICAL DATA

Type		LN 250	LN 1000
Capacity	lbs	550	2200
	kg	250	1000
Beam flange width b	inch	2-8	2-8
	mm	50-220	58-220
max. flange thickness t	inch	1.2	1.0
	mm	30	25
min. curve radius	inch	35.4	39.4
	m	0.9	1.0
Weight	lbs	17	21
	kg	7.7	10.5



DIMENSIONS

Type		LN 250	LN 1000
A	inch mm	3.1 79	3.1 79
D	inch mm	0.7 17	0.7 17
D1	inch mm	1 25	1.2 30
D2	inch mm	1.2 30	1.4 35
H1	inch mm	1.2 30	1 25
I	inch mm	2.7 67.5	3.2 81.5
L	inch mm	10.2 260	10.2 260
L1	inch mm	5.1 130	5.1 130
O	inch mm	2.2 55	2.7 68
T	inch mm	5.7 144	5.9 151

