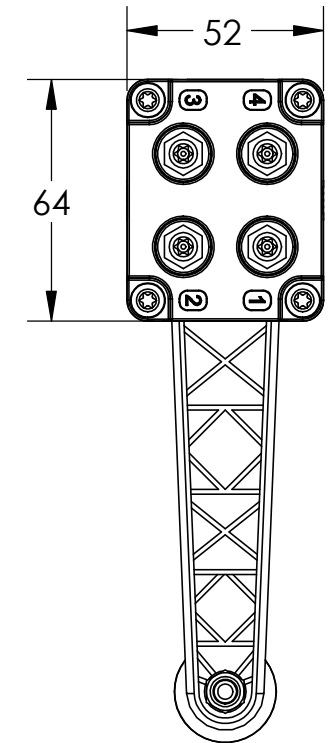
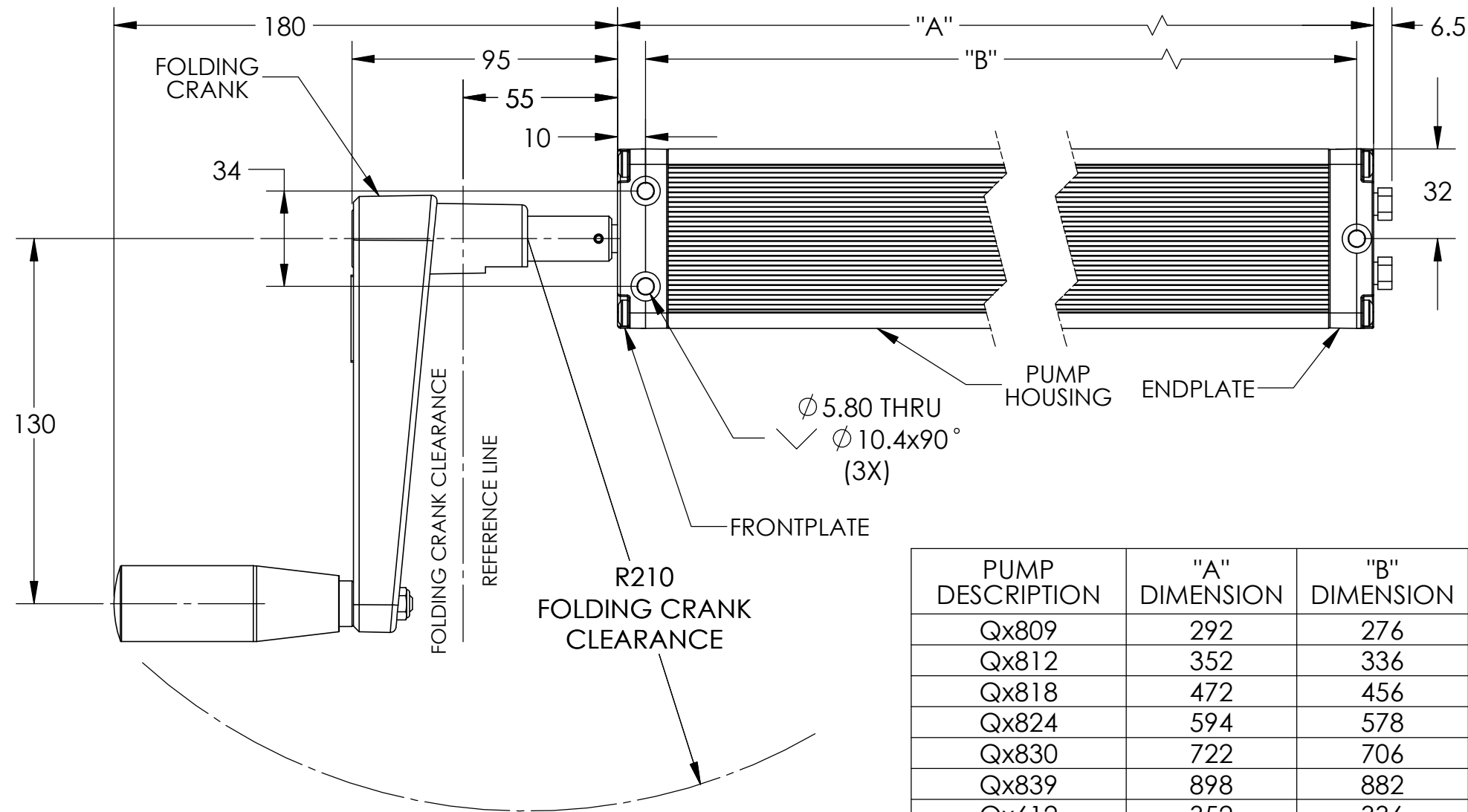


THE INFORMATION CONTAINED IN THIS DRAWING IS THE SOLE PROPERTY OF SUSPA INCORPORATED. ANY REPRODUCTION IN PART OR AS A WHOLE WITHOUT THE WRITTEN PERMISSION OF SUSPA INCORPORATED IS PROHIBITED.



NOTES:

- 1.) ALL DIMENSIONS ARE REFERENCE ONLY.
- 2.) MATERIAL SPECIFICATIONS:

FOLDING CRANK: BLACK NYLON BODY WITH BLACK DUROPLAST GRIP AND BLACK ZINC PLATED STEEL FOLDING MECHANISM.

FRONTPLATE: DIECAST ALUMINUM

PUMP HOUSING: ALUMINUM WITH CLEAR ANODIZED FINISH.

ENDPLATE: DIECAST ALUMINUM

PUMP DESCRIPTION	"A" DIMENSION	"B" DIMENSION
Qx809	292	276
Qx812	352	336
Qx818	472	456
Qx824	594	578
Qx830	722	706
Qx839	898	882
Qx612	352	336
Qx615	412	396
Qx623	594	578
Qx625	612	596
Qx631	722	706
Qx639	898	882

Note: "x" represents a number ranging from 1-4.

DO NOT MANUFACTURE TO THIS DRAWING UNLESS IT IS MARKED "CONTROLLED"

DO NOT SCALE THIS DRAWING
DIMENSIONS ARE IN MILLIMETERS
TOLERANCES UNLESS OTHERWISE SPECIFIED

ONE PLACE DECIMAL +/-0.2 ANGULAR +/-2°
TWO PLACE DECIMAL +/-0.1

DRAWN BY: AJB DATE: 06/11/12 SCALE: 1:2

CUSTOMER DRAWING

REV	ECN	DESCRIPTION	CHANGED BY	APPROVED BY	DATE (MM/DD/YR)
		UPDATED CRANK HANDLE	KTB		08/03/17
		RELEASED	AJB		06/11/12
REVISIONS					
DESCRIPTION					
MOVOTEC "Q" PUMPS (1-4 CYLINDER WITH 130MM CRANK HANDLE)					
MATERIAL					
N/A					
DRAWING NUMBER					
S43-0011					
 3970 Roger B. Chaffee S.E. Grand Rapids, Michigan 49548-3497					DRAWING SIZE
					B