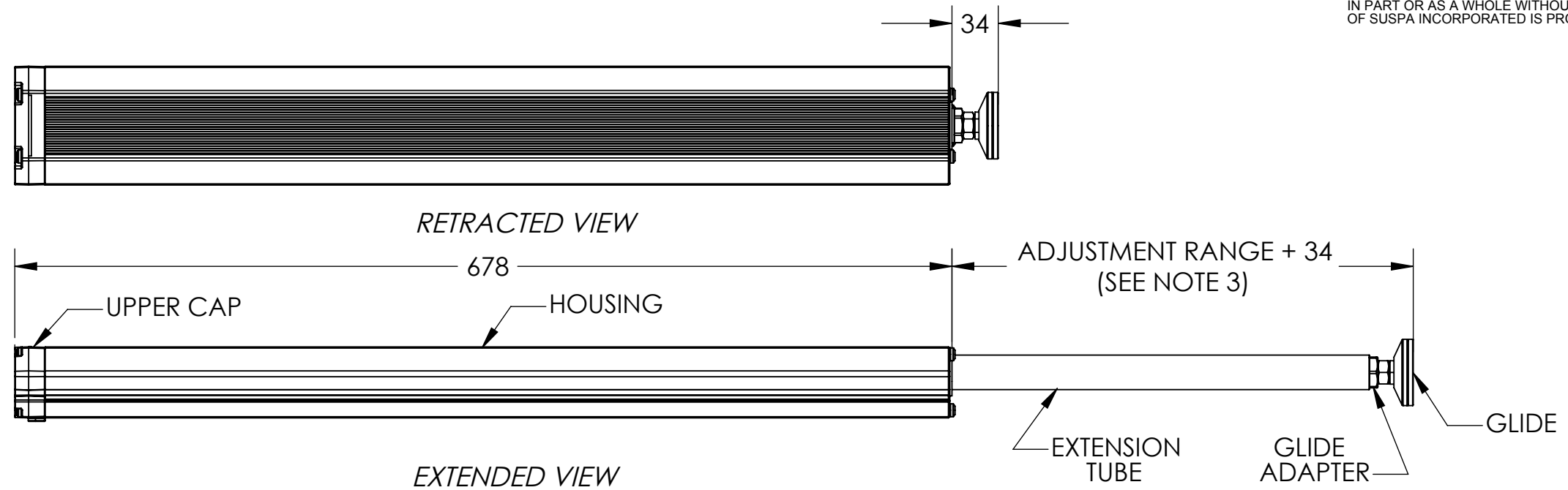
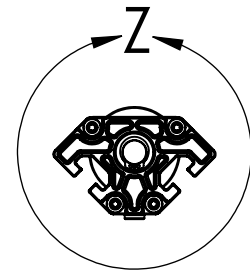


THE INFORMATION CONTAINED IN THIS DRAWING IS THE SOLE PROPERTY OF SUSPA INCORPORATED. ANY REPRODUCTION IN PART OR AS A WHOLE WITHOUT THE WRITTEN PERMISSION OF SUSPA INCORPORATED IS PROHIBITED.



**NOTES:**

- 1.) ALL DIMENSIONS ARE REFERENCE ONLY.
- 2.) CORNER LEG CYLINDER IS DESIGNED FOR CONNECTION TO ALUMINUM STRUCTURAL PROFILE SYSTEM COMPONENTS.
- 3.) CORNER LEG IS OFFERED IN 150mm, 200mm, 300mm, AND 400mm ADJUSTMENT RANGES.
- 4.) MATERIAL SPECIFICATIONS:

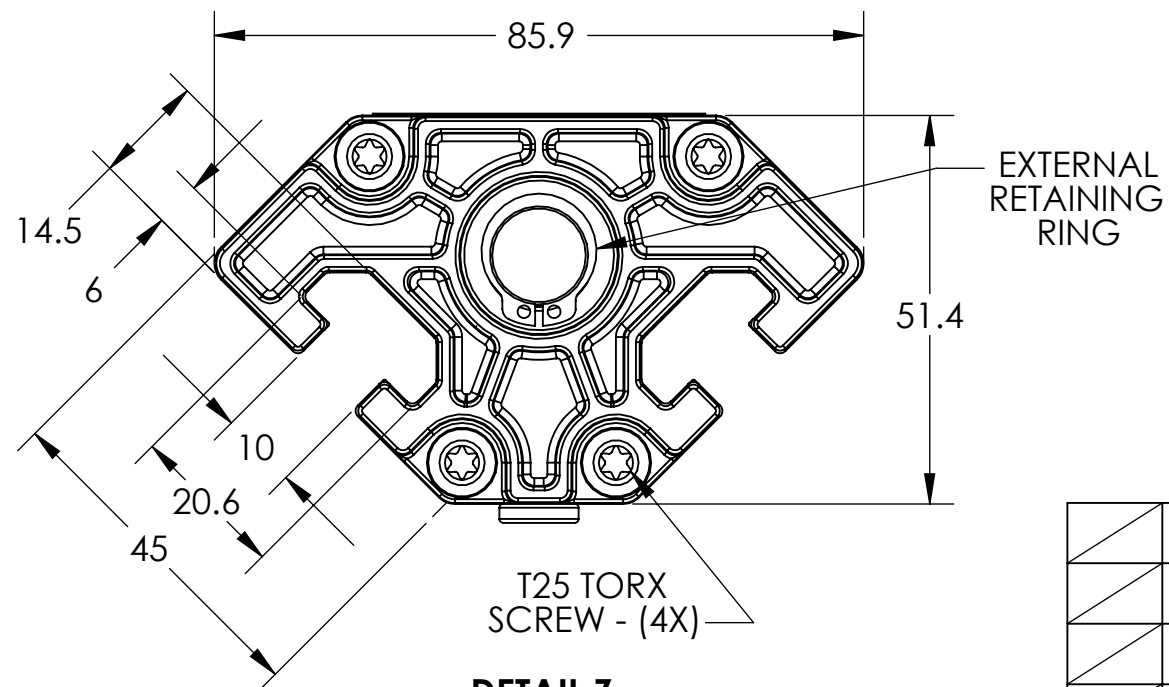
UPPER CAP: ZINC/ALUMINUM DIECAST.

HOUSING: TEMPERED ALUMINUM WITH CLEAR ANODIZED FINISH.

EXTENSION TUBE: STAINLESS STEEL.

GLIDE ADAPTER: STEEL WITH ZINC PLATED FINISH.

GLIDE: THREADED STEEL STUD WITH ZINC PLATED FINISH, BLACK NYLON BASE, AND BLACK TPE NON-SKID PAD.



**DETAIL Z  
SCALE 1 : 1**

**DO NOT MANUFACTURE TO THIS DRAWING UNLESS IT IS MARKED "CONTROLLED"**

**DO NOT SCALE THIS DRAWING**  
DIMENSIONS ARE IN MILLIMETERS  
TOLERANCES UNLESS OTHERWISE SPECIFIED

ONE PLACE DECIMAL	+/-0.2	ANGULAR	+/-2°
TWO PLACE DECIMAL	+/-0.1		

DRAWN BY	DATE	SCALE	THIRD ANGLE PROJECTION
JED	12/08/04	1:4	

CUSTOMER DRAWING

REV	ECN	REVISIONS	CHANGED BY	APPROVED BY	DATE (MM/DD/YR)
				JED	12/08/04
DESCRIPTION					
CORNER LEG CYLINDER					
MATERIAL					
N/A					
DRAWING NUMBER					
S40-0003					
3970 Roger B. Chaffee S.E. Grand Rapids, Michigan 49548-3497					DRAWING SIZE
					B