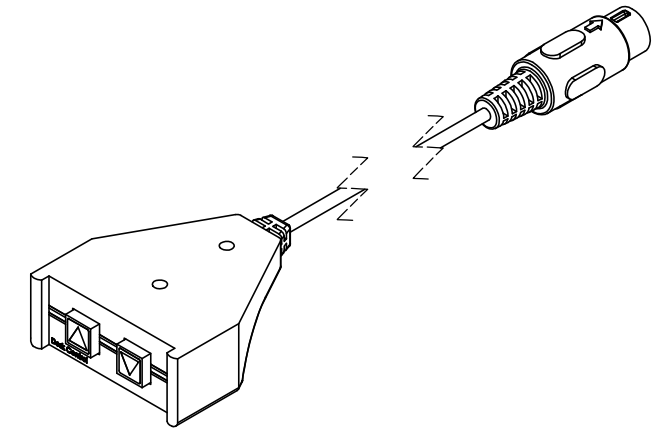
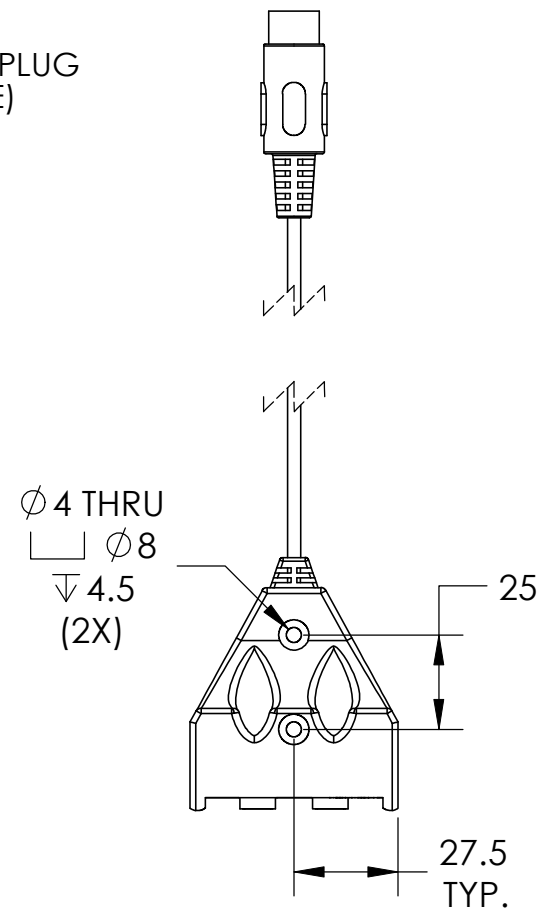
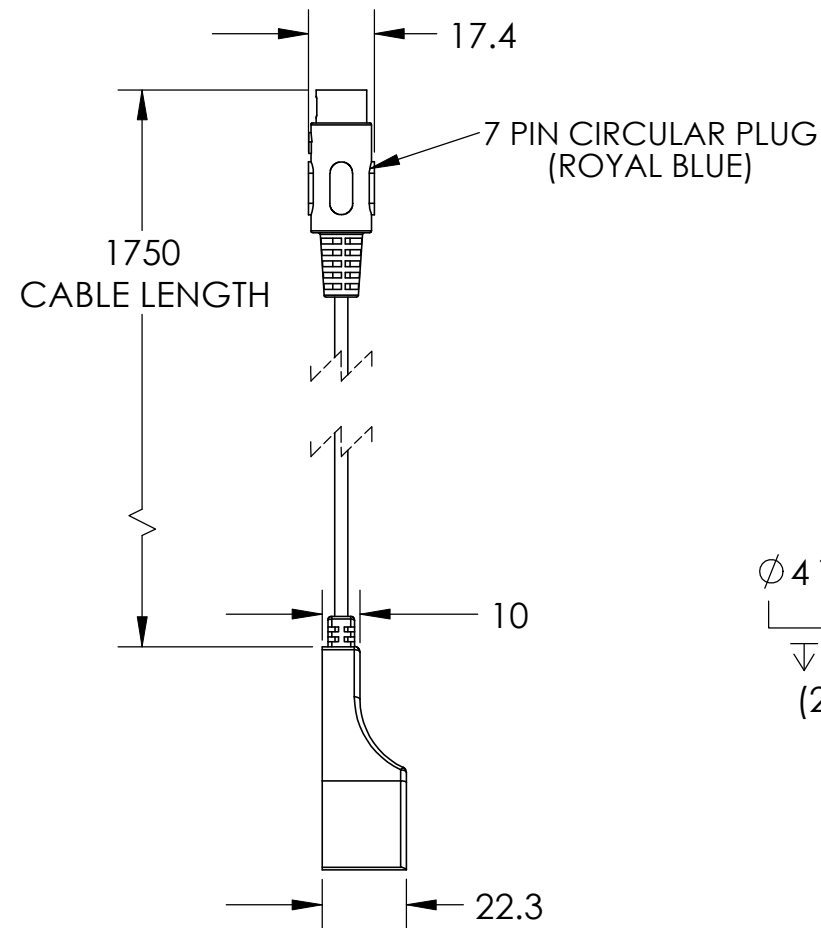
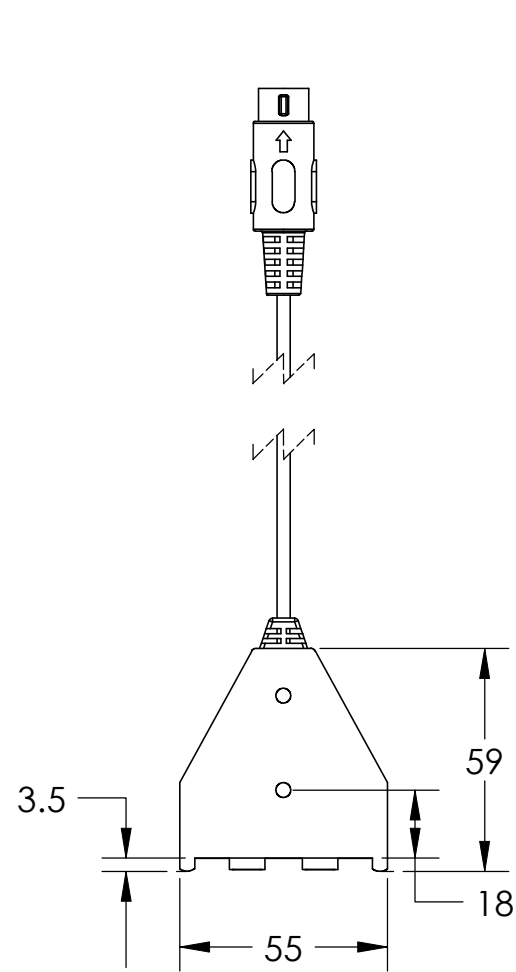


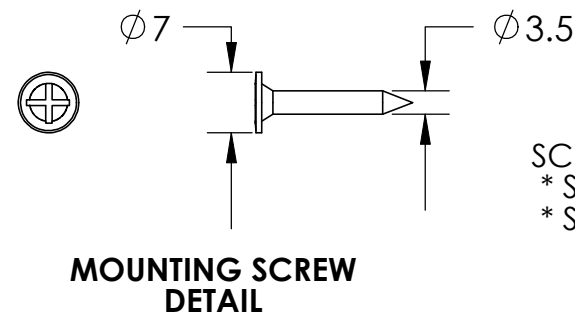
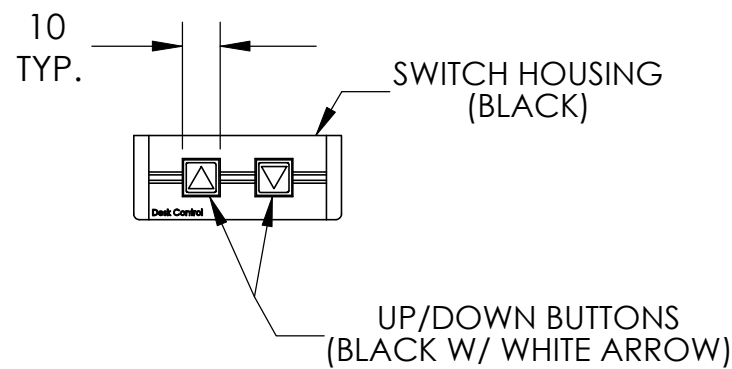
THE INFORMATION CONTAINED IN THIS DRAWING IS THE SOLE PROPERTY OF SUSPA INCORPORATED. ANY REPRODUCTION IN PART OR AS A WHOLE WITHOUT THE WRITTEN PERMISSION OF SUSPA INCORPORATED IS PROHIBITED.



ISOMETRIC VIEW

NOTES:

- 1.) ALL DIMENSIONS ARE REFERENCE ONLY.
- 2.) PACKAGE CONTAINS (2X) WOOD MOUNTING SCREWS - SEE DETAIL BELOW.
- 3.) SURFACE MOUNT SWITCH TO BE USED IN CONJUNCTION WITH MOVOTEC E-DRIVE MOTOR ASSEMBLY.
- 4.) REF. SUSPA P/N: 645-02553.



SCREW LENGTHS:
* SCREW 1 - 22.4 mm
* SCREW 2 - 32.0 mm

DO NOT MANUFACTURE TO THIS DRAWING UNLESS IT IS MARKED "CONTROLLED"

DO NOT SCALE THIS DRAWING
DIMENSIONS ARE IN MILLIMETERS

TOLERANCES UNLESS OTHERWISE SPECIFIED
ONE PLACE DECIMAL +/-0.2 ANGULAR +/-2°
TWO PLACE DECIMAL +/-0.1

DRAWN BY AJB	DATE 03/22/11	SCALE 1:2	THIRD ANGLE PROJECTION
-----------------	------------------	--------------	------------------------

CUSTOMER DRAWING

REV	ECN	DESCRIPTION	CHANGED BY	APPROVED BY	DATE (MM/DD/YY)
		RELEASED	AJB		05/27/11
LOW PROFILE SWITCH					
MATERIAL N/A					
DRAWING NUMBER S45-0026					
3970 Roger B. Chaffee S.E. Grand Rapids, Michigan 49548-3497					DRAWING SIZE B