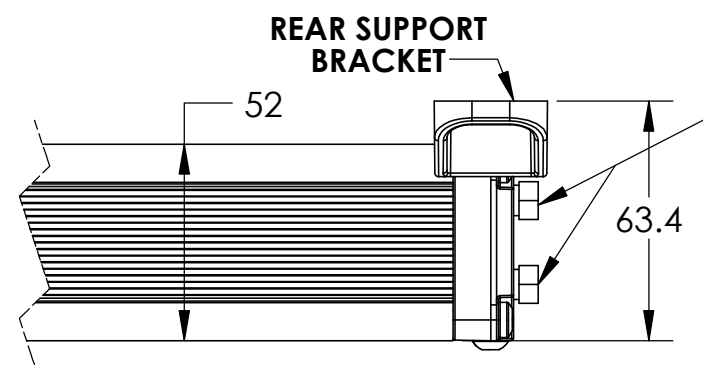
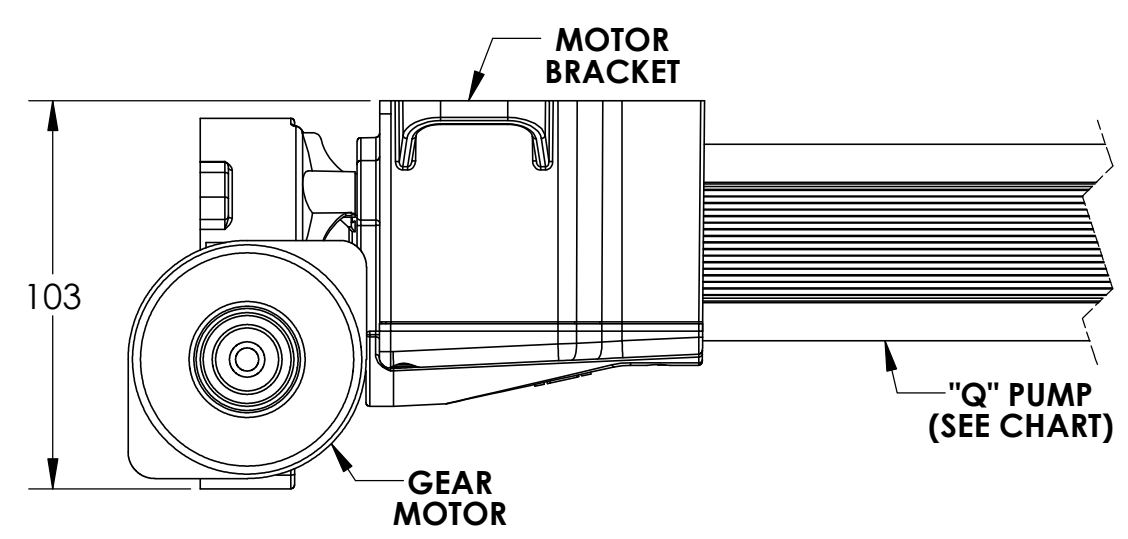
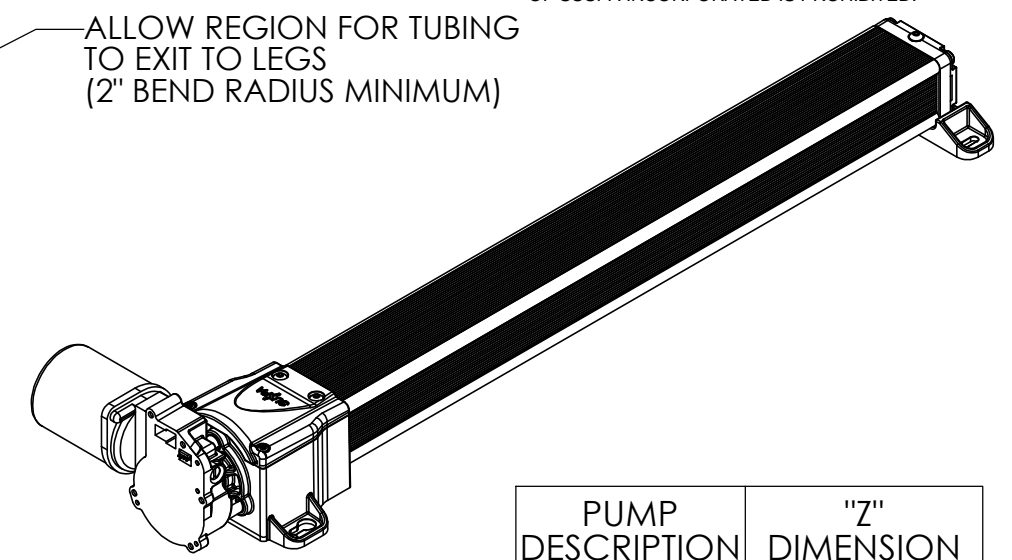


THE INFORMATION CONTAINED IN THIS DRAWING IS THE SOLE PROPERTY OF SUSPA INCORPORATED. ANY REPRODUCTION IN PART OR AS A WHOLE WITHOUT THE WRITTEN PERMISSION OF SUSPA INCORPORATED IS PROHIBITED.

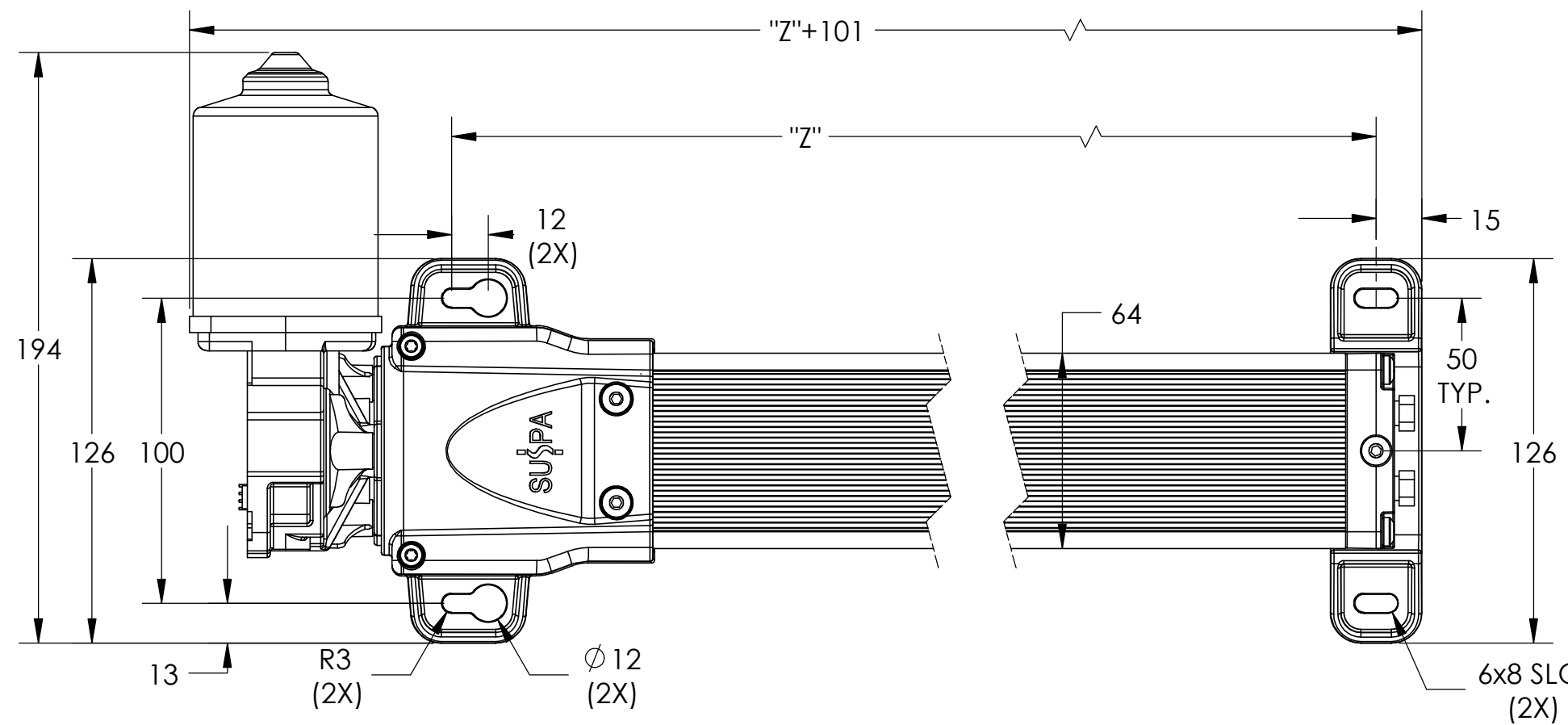


ALLOW REGION FOR TUBING TO EXIT TO LEGS (2" BEND RADIUS MINIMUM)



ISOMETRIC VIEW SCALE 1:5

PUMP DESCRIPTION	"Z" DIMENSION
QXY09	330
QXY12	390
QXY15	450
QXY18	510
QXY23	632
QXY24	632
QXY25	650
QXY30	760
QXY31	760
QXY39	936



NOTE:
 "X" REPRESENTS A NUMBER RANGING FROM 1-4.
 "Y" REPRESENTS Ø OF INTERNAL CYLINDER
 6 = Ø 16MM
 8 = Ø 18MM

NOTES:

- 1.) ALL DIMENSIONS ARE REFERENCE ONLY.
- 2.) GEAR MOTOR SHOWN IS A UL RECOGNIZED COMPONENT. (UL FILE NUMBER: E247336).
- 3.) MOTOR CABLE AND CONTROL BOX NOT SHOWN.
- 4.) ALL MATERIALS ARE USED IN THIS PRODUCT ARE ROHS COMPLIANT.

DO NOT MANUFACTURE TO THIS DRAWING UNLESS IT IS MARKED "CONTROLLED"

DO NOT SCALE THIS DRAWING
 DIMENSIONS ARE IN MILLIMETERS
 TOLERANCES UNLESS OTHERWISE SPECIFIED

ONE PLACE DECIMAL	+/-0.2	ANGULAR	+/-2°
TWO PLACE DECIMAL	+/-0.1		

DRAWN BY: AJB DATE: 06/02/11 SCALE: 1:2

CUSTOMER DRAWING

A587	UPDATED DRAWING ADDED TUBING REGION NOTE	KTB		01/13/14
	UPDATED CHART VALUES	KTB		06/24/13
REV	ECN	REVISIONS		DATE (MMDD/YY)
DESCRIPTION	Q PUMPS WITH MOTOR			
MATERIAL	N/A			
DRAWING NUMBER	S45-0031A			
3970 Roger B. Chaffee S.E. Grand Rapids, Michigan 49548-3497				DRAWING SIZE
				B